

MAXIMAL PAGE CROSSING NUMBER OF EMBEDDED CLOSED  
LEGENDRIAN SURFACES IN CLOSED CONTACT 5-MANIFOLDS

A THESIS SUBMITTED TO  
THE GRADUATE SCHOOL OF NATURAL AND APPLIED SCIENCES  
OF  
MIDDLE EAST TECHNICAL UNIVERSITY

BY

ÖZLEM ERŞEN

IN PARTIAL FULFILLMENT OF THE REQUIREMENTS  
FOR  
THE DEGREE OF DOCTOR OF PHILOSOPHY  
IN  
MATHEMATICS DEPARTMENT, METU

MARCH 2020



Approval of the thesis:

**MAXIMAL PAGE CROSSING NUMBER OF EMBEDDED CLOSED  
LEGENDRIAN SURFACES IN CLOSED CONTACT 5-MANIFOLDS**

submitted by **ÖZLEM ERŞEN** in partial fulfillment of the requirements for the degree of **Doctor of Philosophy in Mathematics Department, METU Department, Middle East Technical University** by,

Prof. Dr. Halil Kalıpçılar  
Dean, Graduate School of **Natural and Applied Sciences**

\_\_\_\_\_

Prof. Dr. Yıldırım Ozan  
Head of Department, **Mathematics Department, METU**

\_\_\_\_\_

Assoc. Prof. Dr. M.Fırat Arıkan  
Supervisor, **Mathematics Department, METU**

\_\_\_\_\_

**Examining Committee Members:**

Prof. Dr. Yıldırım Ozan  
Mathematics Department, METU

\_\_\_\_\_

Assoc. Prof. Dr. M.Fırat Arıkan  
Mathematics Department, METU

\_\_\_\_\_

Assoc. Prof. Dr. Sinem Çelik Onaran  
Mathematics Department, Hacettepe University

\_\_\_\_\_

Assoc. Prof. Dr. İbrahim Ünlü  
Mathematics Department, METU

\_\_\_\_\_

Assoc. Prof. Dr. Elif Dalyan  
Mathematics Department, Hitit University

\_\_\_\_\_

Date:

**I hereby declare that all information in this document has been obtained and presented in accordance with academic rules and ethical conduct. I also declare that, as required by these rules and conduct, I have fully cited and referenced all material and results that are not original to this work.**

Name, Surname: Özlem Erşen

Signature :

## ABSTRACT

### MAXIMAL PAGE CROSSING NUMBER OF EMBEDDED CLOSED LEGENDRIAN SURFACES IN CLOSED CONTACT 5-MANIFOLDS

Erşen, Özlem

Ph.D., Department of Mathematics Department, METU

Supervisor: Assoc. Prof. Dr. M.Firat Arıkan

March 2020, 74 pages

The main purpose of this thesis is to introduce a new Legendrian isotopy invariant for any closed orientable Legendrian surface  $L$  embedded in a closed contact 5-manifold  $(M, \xi)$  which admits an "admissible" open book  $(B, f)$  (supporting  $\xi$ ) for  $L$ . We show that to any such  $L$  and a fixed page  $X$ , one can assign an integer  $MP_X(L)$ , called "Relative Maximal Page Crossing Number of  $L$  with respect to  $X$ ", which is invariant under Legendrian isotopies of  $L$ . We also show that one can extend this to a page-free invariant, i.e., one can assign an integer  $MP_{(B,f)}(L)$ , called "Absolute Maximal Page Crossing Number of  $L$  with respect to  $(B, f)$ ", which is invariant under Legendrian isotopies of  $L$ . In particular, this new invariant distinguishes Legendrian surfaces in the standard five-sphere which can not be distinguished by Thurston-Bennequin invariant.

We give definitions of  $MP_X(L)$  and  $MP_{(B,f)}(L)$  and show that the invariants are well defined. Also, we show that they are preserved under Legendrian isotopies of  $L$ . Finally, we give an example about these invariants.

Keywords: Legendrian surface, open book, contact structure, symplectic, maximal page crossing number

## ÖZ

### KAPALI KONTAKT 5-MANİFOLDLARDA GÖMÜLÜ KAPALI LEGENDRIAN YÜZEYLERİN MAKSİMUM SAYFA GEÇİŞME SAYISI

Erşen, Özlem

Doktora, Matematik Bölümü

Tez Yöneticisi: Doç. Dr. M.Fırat Arıkan

Mart 2020 , 74 sayfa

Amacımız; bir kapalı, kontakt 5-manifoldun  $(B, f)$ , open book yapısını kullanarak, her bir kapalı, yönlendirilebilir Legendrian alt yüzeyi için yeni bir Legendrian izotopi değişmezi tanımlamaktır. Böyle bir Legendrian alt manifoldu  $L$  ve sabit bir  $X$  sayfası için Legendrian izotopiler altında değişmez olan ve bağıl maksimum sayfa geçişme sayısı olarak adlandırılan bir tamsayı atanabileceğini göstermek istiyoruz. Ayrıca, bu değişmezin sayfadan bağımsız yeni bir değişmeze genişletilebileceğini göstermek istiyoruz. Yani böyle bir Legendrian alt manifoldu için Legendrian izotopiler altında değişmez olan ve mutlak maksimum sayfa geçişme sayısı olarak adlandırılan bir tamsayı atanabileceğini göstereceğiz. Bu yeni değişmez Thurston-Bennequin değişmezi tarafından ayırt edilemeyen standart 5-kürelerin Legendrian yüzeylerini ayırt etmeye yardımcı olur.

Bu değişmezlerin tanımını verip iyi tanımlı olduklarını gösterdik. Ayrıca, tanımlanan bu sayıların Legendrian izotopiler altında korunduğunu gösterdik. Son olarak tanımlanan bu değişmezler için bir örnek verdik.

Anahtar Kelimeler: Legendrian yüzey, açık kitap, kontakt yapı, simplektik, maksimum sayfa geçişme sayısı



*To my family and fiance*

## ACKNOWLEDGMENTS

First of all, I would like to express my deepest gratitude to my supervisor Assoc. Prof. Dr. Mehmet Fırat Arıkan for his understanding, encouragement, patience, endless support and constant guidance during my thesis. I learned a lot of things about research and I am still learning. It was a great honor to work with him and our cooperation influenced my academical and world view highly.

I would also like to sincerely thank to the rest of my thesis committee members, especially Prof. Dr. Yıldırım Ozan and Assoc. Prof. Dr. Sinem Çelik Onaran for their helpful suggestions, feedback and valuable comments. In particular, I wish to express my appreciation to Assoc. Prof. Dr. İbrahim Ünlü and Assoc. Prof. Dr. Elif Dalyan for their participation and advice.

I want to express my most heartfelt gratitude to all my department professors Prof. Dr. Turgut Önder, Prof. Dr. Sergey Finashin, Prof. Dr. Cem Tezer, Prof. Dr. Murat Yurdakul, Prof. Dr. Mustafa Korkmaz, Prof. Dr. Mahmut Kuzucuoğlu, Assoc. Prof. Dr. Ali Ulaş Özgür Kişisel, Assoc. Prof. Dr. Mehmetçik Pamuk, Assoc. Prof. Dr. Semra Pamuk, Assoc. Prof. Dr. Ahmet Beyaz, Assoc. Prof. Dr. Emre Coşkun, Assoc. Prof. Dr. Semra Öztürk, Assoc. Prof. Dr. Ebru Solak and Muhiddin Uğuz for their priceless contributions to my education life in METU. Also, I am grateful to Prof. Dr. Mehpare Bilhan, who was died some months ago, for her sincerity. Her contribution to my love for METU was great.

Moreover, it is a pleasure to express my deepest gratitude to everybody who contributed directly or indirectly to my life. My dear friends and colleagues are some of them. My sincere thanks also goes to my dear fellows, Fatma Güler Eroğlu and Elçin Çalışkan for their support, patience and endless help all the time. I have always felt their support and I always felt like they were with me. Also, I want to express my many thanks to my friends for their all support throughout this long and sometimes very exhausting Ankara adventure. Thanks to them, I never felt alone in Ankara.

I would also like to thank to the staff of the Department of Mathematics in METU, especially Nesim Akyol, Adem Bulat, Güldane Gümüş and Burcu Yayla, for their sincere behavior and help all the time when I need.

I want to express my heartfelt thanks to my dear family, İbrahim Erşen, Serap Erşen, Esra Karaçoban, Kübra Erşen, Ahmet Erşen and Himmet Karaçoban for their endless love, support and for being my side in my all difficult times. Because of their motivation, I can complete my thesis and education.

Finally, but not least, I would like to sincerely thank to my dear fiance, Serkan Güven for his endless love, continuous encouragement and for supporting me spiritually throughout writing this thesis and my life in general.

This research has been supported by a grant from TÜBİTAK, the Scientific and Technical Research Council of Turkey.

## TABLE OF CONTENTS

ABSTRACT . . . . .	v
ÖZ . . . . .	vii
ACKNOWLEDGMENTS . . . . .	x
TABLE OF CONTENTS . . . . .	xii
LIST OF FIGURES . . . . .	xiv
CHAPTERS	
1 INTRODUCTION . . . . .	1
2 BACKGROUND . . . . .	5
2.1 Contact 5-Manifolds . . . . .	5
2.2 Symplectic Manifolds and Almost Complex Manifolds . . . . .	11
2.3 Liouville, Weinstein and Stein Manifolds . . . . .	14
2.4 Open Book Decompositions . . . . .	18
2.5 Legendrian Submanifolds and Thurston-Bennequin Invariant . . . . .	22
2.6 Handle Decompositions of Stein Surfaces . . . . .	27
3 RELATIVE PAGE CROSSING NUMBER . . . . .	31
3.1 Spider Lemma . . . . .	31
3.2 Definition of Relative Maximal Page Crossing Number . . . . .	32
4 PROOF OF THEOREM 1.0.1 . . . . .	43

5	ABSOLUTE PAGE CROSSING NUMBER AND PROOF OF THEOREM	
1.0.2	.....	59
6	EXAMPLE FOR THE INVARIANTS	63
	REFERENCES	69
	CURRICULUM VITAE	73

## LIST OF FIGURES

### FIGURES

Figure 2.1	The standard contact structure $\ker(dz + xdy)$ on $\mathbb{R}^3$ . . . . .	6
Figure 2.2	The standard tight contact structure on $\mathbb{R}^3$ . . . . .	10
Figure 2.3	An overtwisted contact structure on $\mathbb{R}^3$ . . . . .	11
Figure 2.4	The open book decomposition of the 2-sphere. . . . .	19
Figure 2.5	An open book decomposition. . . . .	20
Figure 2.6	Positive and negative crossings. . . . .	25
Figure 2.7	A Legendrian unknot (on the left) and a trefoil knot (on the right). . . . .	26
Figure 2.8	The positive and negative stabilizations of $L$ . . . . .	26
Figure 2.9	A Legendrian link diagram. . . . .	28
Figure 3.1	Isotoping a given open book so that the new binding $B'$ intersects $L$ transversally. . . . .	33
Figure 3.2	a) Handle decomposition of the double $D(X)$ , union of the pages $X_0$ and $X_1$ . b) The Stein domains $(X_0, d\alpha_0)$ and $(X_1, d\alpha_1)$ . . . . .	34
Figure 3.3	Embedded Legendrian surface $L$ intersecting transversally the binding $B$ and a pair of pages $X_0$ and $X_1$ . A typical knot component $K = k_0 \cup k_1$ of the link of intersection of $L$ with the double $D(X) = X_0 \cup_{\partial} X_1$ . . . . .	35

Figure 3.4	Legendrian arcs (in red) constructing the knot components of the link of $L$ with the double $D(X) = X_0 \cup_{\partial} X_1$ . . . . .	36
Figure 3.5	Realizing a Legendrian isotopy of $L$ (cancelling a pair of intersection points in $L \cap B$ ) by isotoping $L$ (through the disk $D \subset X_1$ enclosed by $k_1$ and the path $\gamma$ on the attaching sphere $S$ of the 1-handle of $X_1$ joining the points "+" and "-") in the Stein diagrams $(X_0, d\alpha_0)$ and $(X_1, d\alpha_1)$ . . . . .	38
Figure 3.6	A (geometrically) cancelling pair of points ( $p$ and $q$ ) of intersection between $L$ and the binding $B$ . . . . .	40
Figure 3.7	Isotoping the binding $B$ and correspondingly all the pages of the open book using the flow of a compactly supported contact vector field. . . . .	40
Figure 4.1	A regular Legendrian isotopy $L_t$ taking $L_0 = L$ to another Legendrian $L_1 = L'$ which is still intersecting the double $D(X) = X_0 \cup_{\partial} X_1$ transversally, but the new points of intersection in $L' \cap B$ are possibly different than the older ones. . . . .	45
Figure 4.2	Realizing a regular Legendrian isotopy $L_t$ ( $t \in [0, 1]$ ) taking $L_0 = L$ to another Legendrian $L_1 = L'$ in the Stein diagrams of $X_0$ and $X_1$ . The Legendrian arcs (in red) describing $L \cap D(X)$ are Legendrian isotopic to those (in blue) describing $L' \cap D(X)$ through a Legendrian isotopy $K_t = L_t \cap D(X)$ , $t \in [0, 1]$ . . . . .	46
Figure 4.3	A birth of an unknot $K$ during an irregular Legendrian isotopy $L_t$ ( $t \in [0, 1]$ ). $K$ bounds a disk $D'$ in $L_{t_0+\epsilon}$ and a disk $D$ in $D(X)$ . . . . .	48
Figure 4.4	A typical degeneration (unification) during an irregular Legendrian isotopy $L_t$ taking $L_0 = L$ to another Legendrian $L_1 = L'$ which also intersects the double $D(X) = X_0 \cup_{\partial} X_1$ transversally, but the new arcs of intersection in $L' \cap D(X)$ are possibly different than the older ones. Note that traveling in the opposite direction (i.e., from $t = 1$ to $t = 0$ ) describes a typical separation of $K$ into $K_1$ and $K_2$ . . . . .	50

Figure 4.5	Realizing a degeneration (unification) of $K_1, K_2 \in L \cap D(X)$ and the creation of $K \in L' \cap D(X)$ during an irregular Legendrian isotopy $L_t, t \in [0, 1]$ . ( $L_0 = L, L_1 = L'$ and $L_{t_0}$ is not transverse to $D(X)$ .) . . .	52
Figure 4.6	Some possible ways (but not all) of obtaining a Legendrian connected sum $K_1 \# K_2$ of the knots $K_1$ and $K_2$ along appropriate Legendrian bands (in red). . . . .	53
Figure 5.1	Replacing $X_0 = X_\theta$ (resp. $X_1 = X_{\theta+\pi}$ ) with a nearby (Stein) page $X_{\theta'}$ (resp. $X_{\theta'+\pi}$ ) which are still intersecting $L'$ transversely. A new knot component $K' = k'_0 \cup k'_1$ (isotopic to older one $K$ ) of the link of intersection of $L'$ with the new double $X_{\theta'} \cup_\partial X_{\theta'+\pi}$ . . . . .	60
Figure 6.1	A schematic picture of the front projection of the Legendrian Clifford torus $T_k \subset (\mathbb{S}^5, \xi_5)$ onto $\mathbb{R}^3$ with coordinates $z, y_1, y_2$ . The components $K_1, K_2$ (in red) of the (un)link of intersection of $T_k$ with the double $X_0 \cup_\partial X_1 \approx \mathbb{S}^4$ of a page $X \approx D^4$ of the trivial open book on $\mathbb{S}^5$ . (Note: $B \approx \mathbb{S}^3$ and $T_k \pitchfork B = \emptyset$ .) . . . . .	66
Figure 6.2	Realizing the (un)link of transverse intersection of the Legendrian Clifford torus $T_k$ with the double $X_0 \cup_\partial X_1 \approx \mathbb{S}^4$ of a page $X \approx D^4$ in the Stein diagrams of $(X_0, d\alpha_5 _{X_0})$ and $(X_1, d\alpha_5 _{X_1})$ . . . . .	67



## CHAPTER 1

### INTRODUCTION

Contact geometry is the study of an odd dimensional manifolds unlike symplectic geometry which is defined on some even-dimensional manifolds. Contact and symplectic geometry are motivated by the classical mechanics, where one can think either the even-dimensional phase space of a mechanical system or constant-hypersurface which is odd-dimension. Contact geometry has many uses in different areas in physics, like as geometrical optics, classical mechanics, thermodynamics, integrable systems etc. The relation between a contact geometry and a dynamical systems comes from the notion of the Reeb vector field of a contact form in the contact geometry. Contact geometry also has applications to mathematics, especially in low dimensional topology; for example to prove the property P conjecture by Kronheimer and Mrowka [19] and to define invariants of knots by Lenhard Ng [20].

One of the most useful topological tools to study manifolds is open book decompositions. It is relevant to contact structures. Thurston and Winkelnkemper [27] showed that every open book admits a contact structure. Ibort, Martinez-Torres and Presas [1] showed that supporting open books with Weinstein pages always exist for all closed contact 5-manifolds and that monodromies can be assumed to be symplectomorphisms of the pages. Moreover, there is one-to-one correspondence between the set of supporting open books which arise from the work of Ibort, Martinez-Torres and Presas up to positive stabilizations and the set of supported contact structures up to isotopies. These results are given by a famous theorem of Giroux [14] for  $n \geq 5$ . By this theorem, contact geometry can be studied from a topological viewpoint and we can see contact structures as topological objects. Etnyre and Ozbagci [12] defined new invariants of contact structures in terms of open book decompositions.

The most interesting subspaces of a contact manifold are its Legendrian submanifolds. In fact, Legendrian submanifolds are counterpart to Lagrangian submanifolds of symplectic manifolds. Legendrian submanifolds are very hard objects. Because there are infinitely many Legendrian isotopy classes of embeddings which are smoothly isotopic. One can use relative contact homology which provides invariants of Legendrian submanifolds to distinguish different Legendrian submanifolds that are smoothly isotopic.

Legendrian knots inside a contact 3-manifold is the simplest example of Legendrian submanifolds. Legendrian knots are very important. Because we can learn geometry and topology of the underlying manifold with their contribution. Many inequivalent Legendrian knots can be distinguished by their Thurston-Bennequin invariants and rotation number, which are together known as the classical invariants of Legendrian knots. Y. Kanda used Legendrian knots to distinguish contact structures in [18] and L. Rudolph used Legendrian knots to detect topological properties of knots in the [22]. Many examples are known about Legendrian non-isotopic knots with the same classical invariants. Also, in higher dimensions, there are interesting examples of non-trivial Legendrian knots when the contact manifold has more topology on it [9]. The Thurston-Bennequin invariant of any Legendrian surface of a contact manifold measures the twisting of contact structure around this Legendrian surface [11]. This invariant was originally defined by Bennequin [3] and independently, Thurston when  $n = 1$  and generalized to higher dimensions by Tabachnikov [26].

To distinguish two or more topological objects by using some invariants has always been very important. Hence the notion of invariant sounds good. For this reason, many mathematicians would like to discover some new invariant. Any orientable Legendrian submanifold in any contact manifold comes with a canonical contact framing, called *Thurston-Bennequin framing*. More precisely, if  $L^n \subset (M^{2n+1}, \xi)$  is an orientable Legendrian submanifold, then its contact framing is determined by a smooth vector field which is every transverse to  $\xi|_L$ . If we further assume that  $L$  is null-homologous (i.e., if  $L = \partial C$  for some  $(n + 1)$ -chain  $C \subset M$ ), then we can compare the contact framing on  $L$  with the one determined by  $C$ , and so one can identify it with an integer  $tb(L)$  called *Thurston-Bennequin number* of  $L$ . In the past two decades new Legendrian isotopy invariants have been defined and studied (see for

instance, [23], [25], [24]) due to insufficiency of  $tb(L)$  in distinguishing non-isotopic Legendrian submanifolds in certain cases. Most of these new invariants are based on differential graded algebras and very difficult to compute.

Returning back to dimension five, it has been known (see [24], for instance) that  $tb(L)$  can not distinguish Legendrian surfaces in the standard contact  $\mathbb{R}^5$  or  $\mathbb{S}^5$  which are smoothly (but not Legendrian) isotopic. The reason for this is that  $tb(L)$  coincides with a topological invariant for these cases, i.e., it does not carry any information about the Legendrian embedding of  $L$  into  $\mathbb{R}^5$  or  $\mathbb{S}^5$ . On the other hand, the new invariants introduced in this thesis can distinguish such Legendrian surfaces by means of classical computations relatively more visual and simpler than those used in computing other Legendrian isotopy invariants. For this reason, my thesis problem comes to the light. We define two new Legendrian isotopy invariants for any closed orientable Legendrian surface in closed contact 5-manifolds using “essentially intersecting” pages of “admissible” open book decompositions.

In Chapter 2, we give a review of background information on contact 5-manifolds, symplectic manifolds, almost complex manifolds, Liouville manifolds, Weinstein manifolds, Stein manifolds, open book decompositions, Legendrian submanifolds, Thurston-Bennequin invariant and handle decompositions of Stein surfaces.

In Chapter 3, we define a new invariant explicitly: For a given closed, orientable Legendrian surface  $L$  in a closed contact 5-manifold, we consider an “admissible” open book decomposition for  $L$  with a page  $X = X_0$  whose double  $D(X) = X_0 \cup_{\partial} X_1$  “essentially intersects”  $L$ . (Here  $X_1$  is the dual page of  $X_0$ ). One may assume that  $L$  and the binding intersect transversely. Then for any  $L'$  which is Legendrian isotopic to  $L$  and transverse to  $D(X)$ , we consider all the components of the link of transverse intersection of  $L'$  and  $D(X)$ . Sketch the Legendrian arcs constructing these components in the Stein diagrams of  $X_0$  and  $X_1$ , and calculate Thurston-Bennequin number of each of these arcs. By summing all of these numbers, we obtain an integer called the “page crossing number” of  $L'$ . Finally, maximum of these numbers (among all such  $L'$ s) give us a number which we will call “Relative Maximal Page Crossing Number of  $L$  with respect to  $X$ ”.

In Chapter 4, we will study two kinds of Legendrian isotopies and prove the following

theorem:

**Theorem 1.0.1** *One can associate an integer  $MP_X(L)$ , called “Relative Maximal Page Crossing Number of  $L$  with respect to  $X$ ”, which is invariant under Legendrian isotopies of  $L$ .*

In Chapter 5, using the relative invariant, we show that under an additional assumption on admissible open books, one can also define an absolute invariant which is independent of pages of the open book at hand. Namely, assuming that an admissible open book  $(B, f)$  for  $L$  also “essentially intersects”  $L$ , we prove the following theorem:

**Theorem 1.0.2** *One can associate an integer  $MP_{(B,f)}(L)$ , called “Absolute Maximal Page Crossing Number of  $L$  with respect to  $(B, f)$ ”, which is invariant under Legendrian isotopies of  $L$ .*

In the last chapter, we give a concrete example for the invariants.

## CHAPTER 2

### BACKGROUND

In this chapter, we will recall some basic definitions and facts about contact/symplectic geometry and topology in dimension five. In section 2.1, we will define contact structures and give some examples that will be used throughout the thesis. After discussing symplectic manifolds and almost complex manifolds in section 2.2, we will define Liouville, Weinstein and Stein manifold. Open book decompositions and their relations with contact structures will be considered in section 2.4. After we give an overview of Legendrian submanifolds and Thurston-Bennequin invariant, we will recall handle decompositions of Stein domains and their relations with contact surgery diagrams in section 2.6 and we will finish this chapter.

#### 2.1 Contact 5-Manifolds

Let us start with defining a contact structure on (necessarily) odd dimensional manifolds. Due to the nature of this thesis, most of the time we restrict our attention on dimension five. More discussions and details about contact structures can be found, for instance, in [10] and [15].

**Definition 2.1.1** A pair  $(M^5, \xi)$  is called a **contact manifold** where  $M$  is a smooth manifold and  $\xi^4 \subset TM$  is totally non-integrable 4-plane field distribution on  $M$ . A **contact structure** on  $M$  is the distribution  $\xi$  where  $\xi$  is said to be **co-oriented** if it is the kernel of a globally defined 1-form  $\alpha$ .  $\alpha$  has the property  $\alpha \wedge (d\alpha)^2 \neq 0$ . Such  $\alpha$  is called a **contact form** on  $M$ .

Since  $\alpha \wedge (d\alpha)^2 \neq 0$ , a contact manifold  $M^5$  must be oriented. So  $\alpha \wedge (d\alpha)^2 \neq 0$  defines the given orientation on  $M$ .

**Remark** Observe that  $\alpha$  is a contact form if  $\alpha \wedge (d\alpha)^2$  is a **volume form** on  $M$ . That is,  $\alpha \wedge (d\alpha)^2$  is a nowhere vanishing top dimensional differential form. If  $\alpha$  is globally defined, then it is called **co-oriented**.  $\alpha$  can be defined locally or globally. If  $\xi = \text{Ker}(\alpha)$  and  $\alpha \wedge (d\alpha)^2 > 0$ , then  $\xi$  is called a **co-oriented positive contact structure**. In general, we assume that  $\xi$  is co-oriented positive contact structure.

**Remark** 1) The condition  $\alpha \wedge (d\alpha)^2 \neq 0$  is independent of the specific choice of  $\alpha$ .  
 2) The 2-form  $d\alpha_p$  is nondegenerate on  $\xi_p$  for all  $p \in M$ .

Now we will restrict ourself to contact 5-manifolds and give some examples.

**Example 2.1.1** Consider the standard Cartesian coordinates  $(x_1, y_1, x_2, y_2, z)$  in  $\mathbb{R}^5$  and 1-form  $\alpha_1 = dz + x_1 dy_1 + x_2 dy_2$ . Since  $\alpha_1 \wedge (d\alpha_1)^2 = (dz + x_1 dy_1 + x_2 dy_2) \wedge (dx_1 \wedge dy_1 + dx_2 \wedge dy_2)^2 = 2dz \wedge dx_1 \wedge dy_1 \wedge dx_2 \wedge dy_2 \neq 0$ ,  $\xi_1 = \text{ker}(\alpha_1)$  is a contact structure on  $\mathbb{R}^5$ . This  $\xi_1$  is called the standard contact structure on  $\mathbb{R}^5$ .

See Figure 2.1 for the 3-dimensional case.

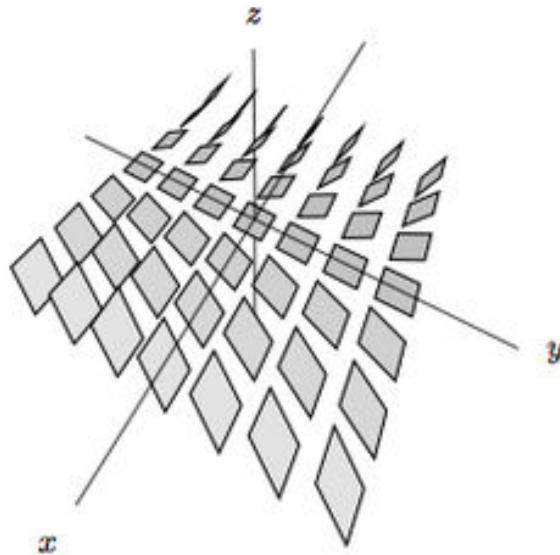


Figure 2.1: The standard contact structure  $\text{ker}(dz + xdy)$  on  $\mathbb{R}^3$ .

**Example 2.1.2** Similarly, consider  $\mathbb{R}^5$  with the standard coordinates  $(x_1, y_1, x_2, y_2, z)$  and the 1-form  $\alpha_2 = dz + x_1 dy_1 - y_1 dx_1 + x_2 dy_2 - y_2 dx_2$ .  $\xi_2 = \ker(\alpha_2)$  is also a contact structure on  $\mathbb{R}^5$ .

**Example 2.1.3** Let  $S^5$  be the unit 5-sphere in  $\mathbb{R}^6$  with standard coordinates  $(x_1, y_1, x_2, y_2, x_3, y_3)$  and 1-form  $\alpha_3 = x_1 dy_1 - y_1 dx_1 + x_2 dy_2 - y_2 dx_2 + x_3 dy_3 - y_3 dx_3$ , which is restricted to  $S^5$ . This contact form defines a standard contact structure on  $S^5$ . So we have  $\xi_3 = \ker(\alpha_3)$ .

**Example 2.1.4** Consider  $\mathbb{R}^5$  with the polar coordinates  $(r_j, \phi_j)$ , in the  $(x_j, y_j)$  plane  $j = 1, 2$ . The following 1-form is a contact form on  $\mathbb{R}^5$ .

$$\alpha_4 = dz + r_1^2 d\phi_1 + r_2^2 d\phi_2 = dz + x_1 dy_1 - y_1 dx_1 + x_2 dy_2 - y_2 dx_2$$

This contact form defines a contact structure  $\xi_4$  on  $\mathbb{R}^5$ . That is  $\xi_4 = \ker(\alpha_4)$ .

**Example 2.1.5** Consider  $\mathbb{R}^5$ , endowed with cartesian coordinates  $(x_1, y_1, x_2, y_2, z)$  and the 1-form  $\alpha_5 = dz - y_1 dx_1 - y_2 dx_2$ . This contact form defines a contact structure on  $\mathbb{R}^5$ .

**Remark** In fact, this contact form is not different from the contact forms  $\alpha_1, \alpha_2, \alpha_4, \alpha_5$ .

The following definitions describe the equivalence of contact structures and forms.

**Definition 2.1.2** A diffeomorphism  $\psi : (M_1, \xi_1 = \ker(\alpha_1)) \rightarrow (M_2, \xi_2 = \ker(\alpha_2))$  between two contact 5-manifolds is called **contactomorphism** if its differential  $Tf : TM_1 \rightarrow TM_2$  maps the contact structure  $\xi_1$  on  $M_1$  to the contact structure  $\xi_2$  on  $M_2$ , i.e. if there is a function  $\lambda : M_1 \rightarrow \mathbb{R} \setminus \{0\}$  with  $f^* \alpha_2 = \lambda \alpha_1$ . Two contact 5-manifolds  $(M_1, \xi_1)$  and  $(M_2, \xi_2)$  are said to be **contactomorphic** if there exists a contactomorphism between them. That is,  $\psi_*(\xi_1) = \xi_2$ .

**Definition 2.1.3** Two contact structures  $\xi_1$  and  $\xi_2$  on a 5-manifold  $M$  are **isotopic** if there is a contactomorphism  $\psi : (M, \xi_1) \rightarrow (M, \xi_2)$  such that  $\psi$  is isotopic to the identity. On the other hand, two contact structures  $\xi_1$  and  $\xi_2$  on a 5-manifold  $M$  are called **homotopic** if they are homotopic as tangent plane distributions.

Two different contact structures can be homotopic but not isotopic. Hence, classification of contact structures is made up to isotopy.

**Example 2.1.6** *The contact manifolds  $(\mathbb{R}^5, \xi_1 = \ker(\alpha_1))$  and  $(\mathbb{R}^5, \xi_2 = \ker(\alpha_2))$  from the first two examples are contactomorphic. An explicit contactomorphism  $f$  is given by*

$$f(\mathbf{x}, \mathbf{y}, z) = \left( \frac{\mathbf{x}+\mathbf{y}}{2}, \frac{\mathbf{y}-\mathbf{x}}{2}, \frac{z+\mathbf{xy}}{2} \right)$$

where  $\mathbf{x} = (x_1, x_2)$ ,  $\mathbf{y} = (y_1, y_2)$  and  $\mathbf{xy} = x_1y_1 + x_2y_2$ . Clearly,  $f^*\alpha_2 = \alpha_1$ .

For completeness, we prove:

**Proposition 2.1.4** *For any point  $p \in S^5$ , the two contact manifolds  $(S^5 \setminus \{p\}, \xi_3)$  and  $(\mathbb{R}^5, \xi_2)$  are contactomorphic.*

**Proof** By using Geiges' proof, we can give a following proof for  $S^5$  and  $\mathbb{R}^5$ :

$$\begin{aligned} \xi_3 &= \text{Ker}(\alpha_3) = \text{Ker}(x_1dy_1 - y_1dx_1 + x_2dy_2 - y_2dx_2 + x_3dy_3 - y_3dx_3) \\ \xi_2 &= \text{Ker}(\alpha_2) = \text{Ker}(dw + u_1dv_1 - v_1du_1 + u_2dv_2 - v_2du_2) \text{ or} \\ &= \text{Ker}(\alpha_2) = \text{Ker}(dw + r_1^2d\theta_1 + r_2^2d\theta_2) \end{aligned}$$

Here  $(r_1, \theta_1)$  is the polar coordinates in the  $(u_1, v_1)$ -plane and  $(r_2, \theta_2)$  is the polar coordinates in the  $(u_2, v_2)$ -plane. Let's choose the point  $p = (0, 0, 0, 0, 0, +1)$ . Suppose that  $\psi : S^5 \setminus \{p\} \rightarrow \mathbb{R}^5$  is the stereographic projection from  $p$ . Also assume that  $(x_1, y_1, x_2, y_2, x_3, y_3)$  and  $(u_1, v_1, u_2, v_2, w)$  are the coordinates in  $S^5$  and  $\mathbb{R}^5$ , respectively. This map is given by

$$\begin{aligned} u_1 &= \frac{x_1}{1-y_3}, & v_1 &= \frac{y_1}{1-y_3}, & u_2 &= \frac{x_2}{1-y_3}, \\ v_2 &= \frac{y_2}{1-y_3}, & w &= \frac{x_3}{1-y_3} \end{aligned}$$

Inverse map of  $\psi$  is given by

$$\psi^{-1} : \mathbb{R}^5 \rightarrow S^5 \setminus \{p\}$$



$$\begin{aligned}x_1 &= \lambda u_1, & y_1 &= \lambda v_1, & x_2 &= \lambda u_2, & y_2 &= \lambda v_2 \\x_3 &= \lambda w, & y_3 &= 1 - \lambda\end{aligned}$$

with  $\lambda = \frac{2}{1 + w^2 + u_1^2 + v_1^2 + u_2^2 + v_2^2}$ . So we have

$$\psi^{-1}(u_1, v_1, u_2, v_2, w) = (\lambda u_1, \lambda v_1, \lambda u_2, \lambda v_2, \lambda w, 1 - \lambda)$$

$$(\psi^{-1})^*(\alpha_3) = \lambda^2[r_1^2 d\theta_1 + r_2^2 d\theta_2 + w r_1 dr_1 + w r_2 dr_2 + \frac{1}{2}(1 + w^2 - r_1^2 - r_2^2)dw].$$

In fact,

$$(\psi^{-1})^*(\alpha_3) = \lambda^2 \tilde{\alpha}_2$$

where  $\tilde{\alpha}_2 = [r_1^2 d\theta_1 + r_2^2 d\theta_2 + w r_1 dr_1 + w r_2 dr_2 + \frac{1}{2}(1 + w^2 - r_1^2 - r_2^2)dw]$ . Let's find a diffeomorphism  $f$  of  $\mathbb{R}^5$  such that  $f^* \alpha_2 = \tilde{\alpha}_2$ . We can find a suitable  $f$  as:

$$\begin{aligned}f : \mathbb{R}^5 &\longrightarrow \mathbb{R}^5 \\f(r_1, r_2, \theta_1, \theta_2, w) &= (r_1, r_2, \theta_1 - w, \theta_2 - w, \frac{1}{2}w(1 + \frac{1}{3}w^2 + r_1^2 + r_2^2)).\end{aligned}$$

When we calculate  $f^*(\alpha_2)$ , we find  $\tilde{\alpha}_2$ . More precisely,

$$\begin{aligned}f^*(\alpha_2) &= f^*(dw + r_1^2 d\theta_1 + r_2^2 d\theta_2) = d(\frac{1}{2}w + \frac{1}{6}w^3 + \frac{1}{2}w r_1^2 + \frac{1}{2}w r_2^2) + r_1^2 d(\theta_1 - w) + \\& r_2^2 d(\theta_2 - w) = (\frac{1}{2} + \frac{1}{2}w^2 - \frac{1}{2}r_1^2 - \frac{1}{2}r_2^2)dw + w r_1 dr_1 + w r_2 dr_2 + r_1^2 d\theta_1 + r_2^2 d\theta_2\end{aligned}$$

As a result,  $f^*(\alpha_2) = \tilde{\alpha}_2$ . Now, we have the following equation:

$$(\psi^{-1})^*(\alpha_3) = \lambda^2 \tilde{\alpha}_2 = \lambda^2 f^*(\alpha_2).$$

If we compose both of this equation by  $\psi^*$  from the left side, we can find

$$\alpha_3 = (\lambda^2 f \circ \psi)^*(\alpha_2).$$

Hence  $\lambda^2 f \circ \psi$  is a contactomorphism between  $(S^5 \setminus \{p\}, \xi_3)$  and  $(\mathbb{R}^5, \xi_2)$ .  $\square$

From the preceding remark and the above proposition,  $(\mathbb{R}^5, \xi_1)$ ,  $(\mathbb{R}^5, \xi_2)$ ,  $(\mathbb{R}^5, \xi_4)$ ,  $(\mathbb{R}^5, \xi_5)$  and  $(S^5 \setminus \{p\}, \xi_3)$  are contactomorphic. Hence any of these contact structures

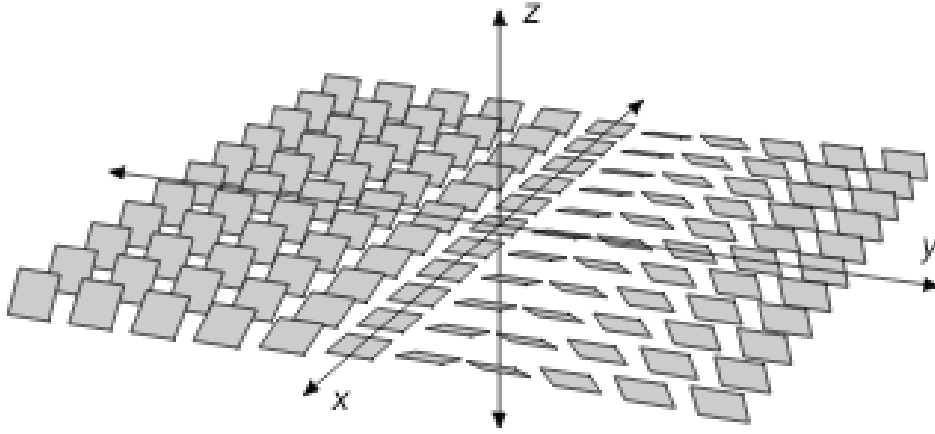


Figure 2.2: The standard tight contact structure on  $\mathbb{R}^3$ .

$\xi_i$ ,  $i = 1, 2, 3, 4, 5$  are used as the standard contact structure on  $\mathbb{R}^5$  and denoted by  $\xi_{std}$ .

**Theorem 2.1.5** (*Darboux's Theorem*) *Let  $M$  be a 5-dimensional manifold and  $x$  a point on  $M$ . Then there is a neighborhood  $U$  of  $x$  in  $M$  such that  $(U, \xi|_U)$  is contactomorphic to  $(\mathbb{R}^5, \xi_{std})$ .*

A neighborhood  $U$  as in the above theorem is said to be a **Darboux ball**. In dimension three, there are two kinds of contact structures on 3-contact manifolds:

**Definition 2.1.6** *If there is an embedded disk  $D$  in  $(M^3, \xi)$  such that  $T_p(\partial D) \subseteq \xi_p$  at every point  $p \in \partial D$ , then  $\xi$  is called an **overtwisted contact structure**. That is, contact plane is tangent to  $\partial D$ .  $D$  is called an **overtwisted disk**. Otherwise  $\xi$  is called a **tight contact structure**.*

**Example 2.1.7** *Let  $\alpha = dz - ydx$  on  $\mathbb{R}^3$  with cartesian coordinates and  $\beta = \cos r dz + r \sin r d\theta$  in  $\mathbb{R}^3$  with cylindrical coordinates. Then  $\text{Ker}(\alpha)$  is the standard tight contact structure on  $\mathbb{R}^3$ . Also  $\text{Ker}(\beta)$  is an overtwisted contact structure. These are visualized in Figure 2.2 and 2.3, respectively.*

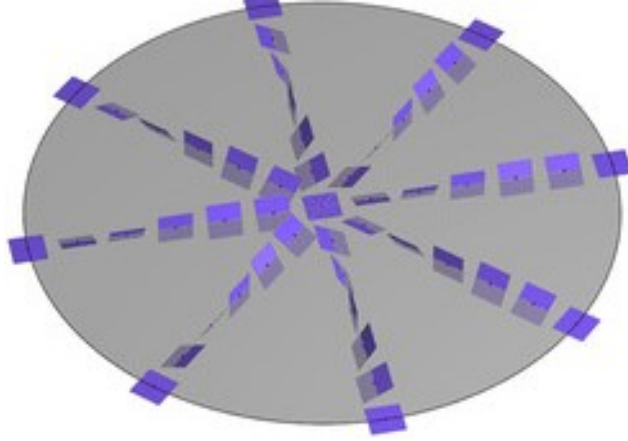


Figure 2.3: An overtwisted contact structure on  $\mathbb{R}^3$ .

**Definition 2.1.7** *Corresponding to a contact form  $\alpha \in \Omega^1(M)$ , one has the so called **Reeb vector field**  $R_\alpha$ , uniquely defined by the equations*

- $d\alpha(R_\alpha, -) = 0$ .
- $\alpha(R_\alpha) = 1$ .

**Example 2.1.8** *The Reeb vector field of the contact form  $\alpha_1 = dz + x_1 dy_1 + x_2 dy_2$  on  $\mathbb{R}^5$  is  $\partial_z$ .*

A vector field  $X$  on a contact manifold is said to be a **contact vector field** if it satisfies

$$\mathcal{L}_X \alpha = f \alpha$$

for some function  $f : M \rightarrow \mathbb{R}$ . That is, if we have a contact vector field, then its flow preserves the contact distribution.

## 2.2 Symplectic Manifolds and Almost Complex Manifolds

For more details about definitions and facts given below, we refer the reader [5], [15], and [21].

**Definition 2.2.1** Given a manifold  $M$ , a **symplectic structure** on  $M$  is a 2-form  $\omega \in \Omega^2(M)$  such that

- $\omega$  is nondegenerate.  
(i. e.  $\forall v \in T_x M, v \neq 0, \exists u \in T_x M$  such that  $\omega_x(v, u) \neq 0$ )
- $\omega$  is a closed form.  
(i. e.  $d\omega = 0$ )

The pair  $(M, \omega)$  is called a **symplectic manifold**.

Note that any symplectic manifold  $(M, \omega)$  is even dimensional and oriented. In fact, the first condition of the above definition is equivalent to  $\omega^n = \omega \wedge \omega \wedge \dots \wedge \omega \neq 0$  if  $\dim(M) = 2n$ . Also  $\omega^n \neq 0$  is called a canonical volume form.

**Example 2.2.1** Consider  $\mathbb{R}^{2n}$  with Cartesian coordinates  $(x_1, \dots, x_n, y_1, \dots, y_n)$ . The symplectic form  $\omega_0 = \sum_{i=1}^n dx_i \wedge dy_i$  is the **standard symplectic form** on  $\mathbb{R}^{2n}$ .

**Definition 2.2.2** A submanifold  $X$  of  $(M, \omega)$  is called **symplectic** if  $\omega_x$  restricted to  $T_x X$  is symplectic for all  $x \in X$  and **isotropic** if  $\omega_x$  restricted to  $T_x X$  is 0 for all  $x \in X$ . An isotropic submanifold of  $(M, \omega)$  which has half dimension of  $M$  is said to be **Lagrangian**.

**Definition 2.2.3** A **symplectic vector space** is a finite dimensional real vector space  $V$  with a nondegenerate, skew symmetric bilinear form  $\omega : V \times V \rightarrow \mathbb{R}$  such that

- 1)  $\omega(v, u) = -\omega(u, v)$
- 2)  $\omega(v + cu, t) = \omega(v, t) + c\omega(u, t), \forall c \in \mathbb{R}, v, u, t \in V$
- 3)  $\omega(v, u) = 0, \forall u \in V \implies v = 0$

**Theorem 2.2.4** Let  $(V, \omega)$  be a symplectic vector space of dimension  $2n$ . Then there exists a basis  $\{e_1, f_1, e_2, f_2, \dots, e_n, f_n\}$  such that

$$\omega(e_i, e_j) = 0 = \omega(f_i, f_j), \quad \omega(e_i, f_j) = \delta_{ij}.$$

**Definition 2.2.5** A **symplectomorphism** is a diffeomorphism  $\psi : (M, \omega) \rightarrow (M', \omega')$  between symplectic manifolds  $(M, \omega)$  and  $(M', \omega')$  with  $\psi^* \omega' = \omega$ .

**Definition 2.2.6** A **complex structure** on a (real) vector space  $V$  is an automorphism  $J : V \longrightarrow V$  such that  $J^2 = -Id$ .

In fact, a complex structure on  $V$  enables us to "multiply  $\sqrt{-1}$ " on  $V$  and thus convert  $V$  into a complex vector space.

**Definition 2.2.7** An **almost complex structure**  $J$  on a manifold  $M$  is an assignment of complex structures  $J_p$  on the tangent spaces  $T_pM$  which depends smoothly on  $p$ . The pair  $(M, J)$  is called an **almost complex manifold**.

In other words, an almost complex structure on  $M$  is a  $(1, 1)$  tensor field  $J : TM \rightarrow TM$  so that  $J^2 = -Id$ .

**Remark** As in the symplectic case, an almost complex manifold must be  $2n$  dimensional and orientable. On the other hand, there exists even dimensional orientable manifolds which admit no almost complex structure.

Let  $(M, \omega)$  be a symplectic manifold and  $J$  an almost complex structure on  $M$ . Then at each tangent space  $T_pM$  we have linear symplectic structure  $\omega_p$  and linear complex structure  $J_p$ .

**Definition 2.2.8** A symplectic structure  $\omega_p$  is **compatible with** an almost complex structure  $J_p : T_pM \rightarrow T_pM$  if

1)  $\omega_p(u, v) = \omega_p(Ju, Jv)$  for all  $u, v \in T_pM$ .

That is,  $J$  preserves  $\omega$ .

2)  $\omega_p(u, J_p u) > 0$  for all nonzero  $u \in T_pM$ . This means,  $\omega_p$  is positive on the complex lines. This condition is called the **taming condition**.

Or equivalently,

$$g_p(u, v) := \omega_p(u, J_p v)$$

is an inner product on  $T_pM$ .

**Definition 2.2.9** An almost complex structure  $J$  on  $M$  is **compatible with** a symplectic structure  $\omega$  on  $M$  if at each  $p$ ,  $J_p$  is compatible with  $\omega_p$ .

Equivalently,  $J$  is compatible with  $\omega$  if and only if

$$g_p : T_p M \times T_p M \rightarrow \mathbb{R}, g_p(u, v) := \omega_p(u, J_p v)$$

defines a Riemannian structure on  $M$ .

**Theorem 2.2.10** *Let  $(M, \omega)$  be a symplectic manifold, and  $J_0, J_1$  two almost complex structures compatible with  $\omega$ . Then there is a smooth family  $J_t$ ,  $0 \leq t \leq 1$ , of compatible almost complex structures joining  $J_0$  to  $J_1$ .*

The space of compatible complex structures on  $(V, \omega)$  is denoted by  $J(V, \omega)$ .

**Corollary 2.2.11** *The set of all compatible almost complex structures on a symplectic manifold is path connected.*

**Theorem 2.2.12** *The space  $J(V, \omega)$  is contractible, and hence non-empty.*

The above theorem is due to Gromov [17] (for a proof see also [13] or [21]) and provides a very useful connection between symplectic and (almost) complex geometry.

**Definition 2.2.13** *Let  $(M, \omega)$  be a symplectic manifold and  $f : M \rightarrow \mathbb{R}$  a smooth function.  $f$  is called a **Hamiltonian** on  $M$ . A vector field  $X$  on  $(M, \omega)$  is said to be **symplectic** if  $\mathcal{L}_X \omega = 0$ . That is, the flow of  $X$  preserves  $\omega$ . Observe that by Cartan's formula,  $X$  is symplectic if and only if  $i_X \omega$  is closed where  $i$  denotes interior product. A vector field  $X$  on  $(M, \omega)$  is called **Hamiltonian** if  $i_X \omega$  is exact.*

### 2.3 Liouville, Weinstein and Stein Manifolds

Now we recall special families of symplectic manifolds in which we are interested. More details about definitions and facts given below can be found in [4] and [21].

**Definition 2.3.1** *Let  $(X, \omega)$  be a compact, symplectic  $2n$ -manifold such that  $\partial X = M_- \sqcup M_+$ .  $\partial_+ X = M_+$  is said to be **convex boundary** if there exists a **Liouville***

**vector field**  $Z$  for  $\omega$  defined near  $M_+$  such that  $\mathcal{L}_Z\omega = \omega$  and  $Z$  is pointing outwards along  $M_+$ . Similarly,  $\partial_-X = M_-$  is the **concave boundary** if  $Z$  is defined near  $M_-$  and pointing inwards along  $M_-$ . In such a case,  $\alpha_{\pm} = (i_Z\omega)|_{M_{\pm}}$  is a contact form on  $M_{\pm}$ , and  $(X, \omega)$  is called a **symplectic cobordism** from  $(M_-, Ker(\alpha_-))$  to  $(M_+, Ker(\alpha_+))$ .

**Definition 2.3.2** A cobordism  $X$  between a manifold  $M$  and the empty set is called a **filling**. A symplectic cobordism from the empty set to a contact manifold  $(M, \xi)$  is called a **strong symplectic filling** (or a **convex filling**). On the other hand, a symplectic cobordism from a contact manifold  $(M, \xi)$  to the empty set is called a **concave filling** of  $(M, \xi)$ . Also a symplectic manifold  $(X, \omega)$  is said to be a **weak symplectic filling** of a contact manifold  $(M, \xi)$  if

- (i)  $\partial X = M$  and the boundary orientation on  $\partial X$  and the orientation on  $M$  agree, and
- (ii)  $\omega|_{\xi}$  is nondegenerate, i.e.,  $\omega|_{\xi} > 0$ .

In this case, a contact manifold  $(M, \xi)$  is called a **weakly symplectically fillable**.

**Theorem 2.3.3 ([8])** Any weakly symplectically fillable contact 3-manifold is tight.

**Definition 2.3.4** A **Liouville cobordism** is a symplectic cobordism  $(X, \omega)$  from  $\partial_-X = M_-$  to  $\partial_+X = M_+$  with a Liouville structure. A **Liouville structure** means that there is a 1-form  $\alpha$  on  $X$  such that  $\omega = d\alpha$  and the  $\omega$ -dual vector field  $Z$  of  $\alpha$  is a Liouville vector field for  $\omega$  transversely pointing inward (resp. outward) along the boundary component  $\partial_-X$  (resp.  $\partial_+X$ ). A Liouville cobordism with  $\partial_-X = \emptyset$  is called a **Liouville domain**.

When  $X$  is an open manifold, if we assume that the flow of  $Z$  exists for all times and there exists an exhaustion  $X = \bigcup_{k=1}^{\infty} X^k$  by compact domains  $X^k \subset X$  such that each  $(X^k, \alpha|_{X^k})$  is a Liouville domain with convex boundary  $(\partial X^k, \alpha|_{\partial X^k})$  for all  $k \geq 1$ , then  $(X, \alpha)$  is called a **Liouville manifold**. Since  $\omega$  and  $Z$  uniquely determine  $\alpha$  (namely,  $\alpha = \iota_Z\omega$ ), one can also use the notation  $(X, \omega, Z)$  for Liouville cobordisms/domains/manifolds.

**Definition 2.3.5** The **core** (or **skeleton**) of the Liouville domain/manifold  $(X, \alpha)$  is defined as follows: If  $Z^{-t} : V \rightarrow V$  denotes the contracting flow of  $Z$ , then

$$\text{Core}(X, \alpha) := \bigcup_{k=1}^{\infty} \bigcap_{t>0} Z^{-t}(X^k).$$

By putting more conditions on Liouville manifolds, one can consider the class of Weinstein/Stein manifolds. For these manifolds the core contains all Morse theoretical data as we will observe below. To define Weinstein and Stein manifolds, we need some basic definitions:

**Definition 2.3.6** (i) A vector field  $Z$  on a smooth manifold  $X$  is said to be **gradient-like** for a smooth function  $\phi : X \rightarrow \mathbb{R}$  if  $Z \cdot \phi = \mathcal{L}_Z \phi > 0$  away from the critical point of  $\phi$ .

(ii) A real-valued function is said to be **exhausting** if it is proper and bounded from below.

(iii) An exhausting function  $\phi : X \rightarrow \mathbb{R}$  on a symplectic manifold  $(X, \omega)$  is said to be  **$\omega$ -convex** if there exists a complete Liouville vector field  $Z$  which is gradient-like for  $\phi$ .

(iv) Suppose that  $(X, J)$  is an almost complex manifold. Then a smooth map  $\phi : X \rightarrow \mathbb{R}$  is said to be  **$J$ -convex** if  $\omega_\phi := -d(d\phi \circ J)$  is nondegenerate (i.e.,  $\omega_\phi(v, Jv) > 0$  for all  $v \neq 0$ ), and so symplectic.

**Definition 2.3.7** A **Weinstein manifold**  $(X, \omega, Z, \phi)$  is a symplectic manifold  $(X, \omega)$  which admits a  $\omega$ -convex Morse function  $\phi : X \rightarrow \mathbb{R}$  whose complete gradient-like Liouville vector field is  $Z$ . The triple  $(\omega, Z, \phi)$  is called a **Weinstein structure** on  $X$ . A **Weinstein cobordism**  $(X, \omega, Z, \phi)$  is a Liouville cobordism  $(X, \omega, Z)$  whose Liouville vector field  $Z$  is gradient-like for a Morse function  $\phi : X \rightarrow \mathbb{R}$  which is constant on the boundary  $\partial X$ . A Weinstein cobordism with  $\partial_- X = \emptyset$  is called a **Weinstein domain**.

Any Weinstein manifold  $(X, \omega, Z, \phi)$  can be exhausted by Weinstein domains

$$X_k = \{\phi^{-1}(-\infty, d_k]\} \subset X$$

where  $\{d_k\}$  is an increasing sequence of regular values of  $\phi$ , and therefore, any Weinstein manifold is a Liouville manifold. In particular, any Weinstein domain is a



Liouville domain. Also note that any Weinstein domain  $(X, \omega, Z, \phi)$  has the convex boundary  $(\partial X, Ker((\iota_Z \omega)|_{\partial X}))$ .

The following topological characterization of Weinstein domains will be important for us.

**Theorem 2.3.8** ([28], see also Lemma 11.13 in [4]) *Any Weinstein domain of dimension  $2n$  admits a handle decomposition whose handles have indices at most  $n$ .*

Now we give a definition of Stein manifolds. Originally they are defined as the class of manifolds which can be holomorphically embedded into some complex space  $\mathbb{C}^N$  for  $N$  large enough, and hence they are complex manifolds. In terms of the structure of the present paper, they can be defined as follows:

**Definition 2.3.9** *A **Stein manifold** is a triple  $(X, J, \phi)$  where  $J$  is an almost complex structure on  $X$  and  $\phi : X \rightarrow \mathbb{R}$  is an exhausting  $J$ -convex Morse function which is also  $\omega_\phi$ -convex. A **Stein cobordism**  $(X, J, \phi)$  is a Weinstein cobordism  $(X, \omega_\phi, Z, \phi)$ . A Stein cobordism with  $\partial_- X = \emptyset$  is called a **Stein domain**.*

It is not hard to observe that there is an underlying a Weinstein structure for any given Stein structure. Indeed, it has been shown that the converse is also true:

**Theorem 2.3.10** ([4]) *Any Weinstein structure on a manifold  $X$  can be deformed to another one which is the underlying Weinstein structure of some Stein structure on  $X$ .*

**Definition 2.3.11** *A contact manifold  $(M, \xi)$  is called **Stein fillable** (or **holomorphically fillable**) if there is a Stein domain  $(X, J, \phi)$  such that  $\partial X = M$  and  $\xi = Ker(-(d\phi \circ J)|_M)$ .*

It clearly follows from Theorem 2.3.3 that

**Theorem 2.3.12** *Any Stein fillable contact 3-manifold is tight.*

## 2.4 Open Book Decompositions

Open book decompositions are topological structures and they have a strong relationship with contact structures. More details about definitions and facts given below can be found in [29] and [15]

**Definition 2.4.1** An *(embedded or non-abstract) open book (decomposition)* of a closed  $(2n+1)$ -manifold  $M$  is determined by a pair  $(B, f)$  where  $B$  is a codimension 2 submanifold with trivial normal bundle and  $f : M \setminus B \rightarrow S^1$  is a fiber bundle projection such that the normal bundle has a trivialization  $B \times D^2$ , where the angle coordinate on the disk agrees with the fibration map  $f$ . The  $(2n-1)$ -manifold  $B$  is called the **binding** and for any  $t_0 \in S^1$ , the  $2n$ -manifold  $X = f^{-1}(t_0)$  (a fiber of  $f$ ) is called a **page** of the open book.

An alternative definition of an open book decomposition can be given as follows:

**Definition 2.4.2** An open book  $(B, f)$  determines an **abstract open book**  $(\bar{X}, h)$  where  $\bar{X}$  denotes the closure of a page  $X$  in  $M$ , and  $h : \bar{X} \rightarrow \bar{X}$  is the self-diffeomorphism (which is identity near the binding  $B = \partial\bar{X}$ ) defined by the time-one map of the flow lines along the  $S^1$ -direction. The map  $h$  is called the **monodromy** of the open book decomposition.

In fact, the two notions of open book decomposition are closely related. The difference is that when discussing open books (non-abstract), we can discuss the binding and pages up to isotopy in  $M$ , whereas when discussing abstract open books we can only discuss them up to diffeomorphism.

**Example 2.4.1** The 2-dimensional sphere  $S^2$  has an open book decomposition with page a closed interval and trivial monodromy up to isotopy (see Figure 2.4). Furthermore, the open book decomposition of  $S^2$  is unique up to isotopy.

**Example 2.4.2** The 3-dimensional sphere  $S^3$  has an open book decomposition with page a disc and trivial monodromy. Think  $S^3$  as the one point compactification of  $\mathbb{R}^3$

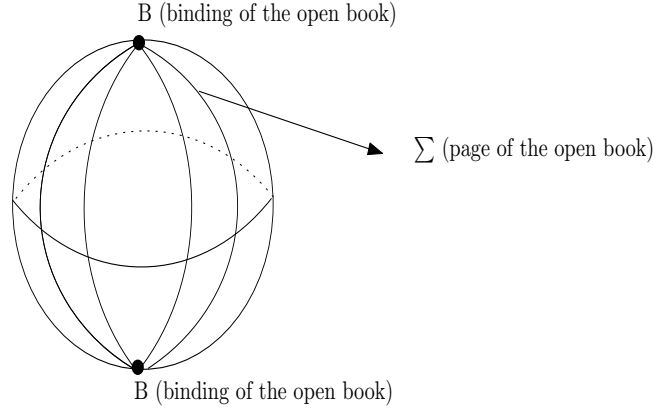


Figure 2.4: The open book decomposition of the 2-sphere.

and extend the binding and pages in the following figure along the  $z$ -axis. To be more precise, choose polar coordinates  $(r, \theta)$  on the  $xy$ -plane and define

$$B := \{x = y = 0\} \cup \{\infty\}, \quad \pi : S^3 \setminus B \rightarrow S^1$$

by sending  $(r, \theta, z)$  to  $\theta$ , where we identify  $S^3 = \mathbb{R}^3 \cup \{\infty\}$ .

An abstract open book can be defined by mapping torus as follows (see Figure 2.5): Let  $\Sigma$  be a compact  $(n - 1)$  manifold with boundary  $\partial \Sigma$  and  $\phi : \Sigma \rightarrow \Sigma$  a self diffeomorphism of  $\Sigma$  such that  $\phi|_N = \text{identity}$  on  $N$  for some neighborhood  $N$  of  $\partial \Sigma$ . The **mapping torus** of  $\phi$  is denoted by  $\Sigma_\phi$  and defined by

$$\Sigma_\phi = \Sigma \times [0, 1] / \sim$$

where  $\sim$  is the relation  $(x, 1) \sim (\phi(x), 0)$  for all  $x \in \Sigma$ . It is obvious that

$$\partial(\Sigma_\phi) = (\partial \Sigma) \times [0, 1] / (x, 1) \sim (\phi(x), 0) = (\partial \Sigma) \times S^1$$

Take  $(x, \theta) \in (\partial \Sigma) \times S^1$ . Set

$$M_{(\Sigma, \phi)} = \Sigma_\phi \cup (\partial \Sigma \times D^2) / \sim$$

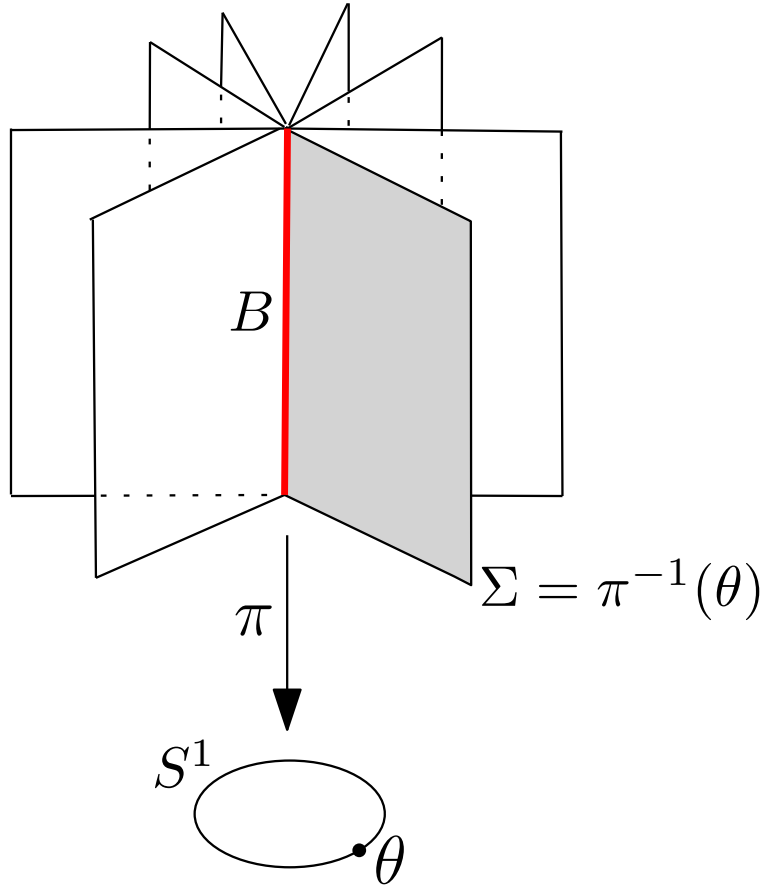


Figure 2.5: An open book decomposition.

We say that  $(\Sigma, \phi)$  is an **open book decomposition** of a closed  $n$ -manifold  $M$  if  $M$  is diffeomorphic to  $M_{(\Sigma, \phi)}$ .

**Definition 2.4.3** Two abstract open book decompositions  $(\Sigma_1, \phi_1)$  and  $(\Sigma_2, \phi_2)$  are called **equivalent** if there is a diffeomorphism  $h : \Sigma_1 \rightarrow \Sigma_2$  such that  $h \circ \phi_2 = \phi_1 \circ h$ .

The following definition is given by Giroux:

**Definition 2.4.4 ([14])** A contact structure  $\xi$  on a closed  $(2n+1)$ -manifold  $M$  is said to be **supported by** (or **carried by**, or **compatible with**) an open book  $(B, f)$  on  $M$  if there exists a contact form  $\alpha$  for  $\xi$  such that

- (i)  $(B, Ker(\alpha|_{TB}))$  is a contact  $(2n-1)$ -manifold,

- (ii) for any  $t \in S^1$ , the page  $(X = f^{-1}(t), d\alpha|_{TX})$  is a symplectic  $2n$ -manifold, and
- (iii) if  $\bar{X}$  denotes the closure of a page  $X$  in  $M$ , then the orientation on  $B = \partial\bar{X}$  induced by its contact form  $\alpha|_{TB}$  coincides with its orientation as the convex boundary of  $(\bar{X}, d\alpha|_{TX})$ .

**Remark** If an open book has Weinstein pages, then each page has its core as any Weinstein manifold is Liouville. The core is not a manifold. In fact, it is a CW-complex, and it carries a topological information of the page and the open book. Furthermore, its dimension is half of the dimension of the page (Theorem 2.3.8). Hence, for our case (i.e., when a page is 4-dimensional), the dimension of the core is 2. We will make use of the following facts:

**Proposition 2.4.5 ([14])** *Two contact structures supported by the same open book are isotopic.*

**Theorem 2.4.6 ([14])** *Every contact structure on a closed manifold is compatible with some open book decomposition with Weinstein (and so Stein) pages.*

**Theorem 2.4.7** *Every oriented contact structure on a closed oriented manifold  $M^{2n+1}$  is compatible with some open book decomposition  $(X, \phi)$ . Moreover,  $X$  may be assumed to be a Weinstein manifold and  $\phi$  a symplectomorphism.*

**Remark** *From this result, one concludes that there is always open book whose pages are Stein because we know that Weinstein manifolds are Stein by Eliashberg (see [4]).*

We now explain how the page and the monodromy of an open book changes under a certain process called *stabilization*.

**Definition 2.4.8 ([14])** *Let  $D^n \subset \Sigma^{2n}$  be an  $n$ -dimensional disc embedded into the  $2n$ -dimensional page of an open book  $(\Sigma, \phi)$  of an odd dimensional manifold  $M$  such that  $D^n$  meets  $\partial\Sigma$  transversely and exactly in its boundary  $\partial D^n$  and such that the normal bundle of  $\partial D^n$  in  $\partial\Sigma$  is trivial. Attach an  $n$ -handle  $H$  to  $\Sigma$  along  $\partial D^n$  in such a way that the normal bundle of the sphere  $S^n = D^n \cup \text{core}(H)$  is isomorphic to  $T^*S^n$ .*

Then the open book  $(\Sigma \cup H, \phi \circ \tau)$  is called a **positive stabilization** of  $(\Sigma, \phi)$ , where  $\tau$  denotes a right-handed Dehn twist along the sphere  $S^n$ . Similarly, we can also define **negative stabilization** using left-handed Dehn twists instead of right-handed Dehn twists. That is,  $(\Sigma \cup H, \phi \circ \tau^{-1})$  is called **negative stabilization** where  $\tau^{-1}$  is a left-handed Dehn twist along the sphere  $S^n$ .

**Remark** Observe that the original open book  $(\Sigma, \phi)$  and the stabilized open book  $(\Sigma \cup H, \phi \circ \tau)$  give rise (up to diffeomorphism) to the same manifold  $M$ . Indeed, the sphere  $\partial D^n \subset \partial \Sigma = B \subset (\Sigma, \phi)$  is a sphere with trivial normal bundle in  $M$ , since the binding  $B$  has trivial normal bundle by definition. Attaching handles to each page is equivalent to a surgery along  $\partial D^n$ . The manifold  $M'$  obtained by that surgery carries the open book structure  $(\Sigma \cup H, \phi)$ . Performing the Dehn twist  $\tau$  along  $S^n$  is equivalent to a surgery cancelling the one corresponding to the handle attachment.

Contact structures are geometric objects while open book decompositions are topological objects. Giroux found a relation between them as stated below:

**Theorem 2.4.9 ([14])** *Let  $M$  be a closed  $(2n + 1)$ -manifold. Then there is one to one correspondence between co-oriented contact structures on  $M$  up to isotopy and open book decompositions of  $M$  with Weinstein (and so Stein) pages up to positive stabilization.*

This correspondence between oriented contact structures and open book decompositions is called **Giroux Correspondence**. We note that if an open book Weinstein (or Stein) pages, then all of its stabilizations have also Weinstein (or Stein) pages.

**Theorem 2.4.10 ([14])** *Two open books with Weinstein (or Stein) pages supporting the same contact manifold  $(M, \xi)$  are related by positive stabilizations, that is, they have a common positive stabilization.*

## 2.5 Legendrian Submanifolds and Thurston-Bennequin Invariant

Legendrian submanifolds are the most interesting ones in contact manifolds. Although they are defined in any odd dimensions, we restrict our attention mostly to

dimension five and three. The non-integrability condition of contact 5-manifold ensures that there is no submanifold of dimension greater than or equal to 3 which is tangent to the contact distribution. However, we can find 2-dimensional submanifolds whose tangent spaces lie inside the contact field. Legendrian submanifolds are analogous to Lagrangian submanifolds of symplectic manifolds. The Legendrian knots inside a contact 3-manifold are the simplest example of Legendrian submanifolds. In fact, locally a Legendrian knot is an embedding of an arc (called a **Legendrian arc**) into  $\mathbb{R}^3$ , which is everywhere tangent to the standard contact structure on  $\mathbb{R}^3$ .

**Definition 2.5.1** *Let  $(M^5, \xi)$  be a contact manifold. A submanifold  $L$  of  $(M^5, \xi)$  is called an **isotropic submanifold** if  $T_p L \subset \xi_p$  for all points  $p \in L$ . An isotropic submanifold of dimension two (an isotropic surface) is called a **Legendrian submanifold** (**Legendrian surface**). (More generally, **Legendrian submanifold** is an embedding of a  $n$ -dimensional manifold into  $(2n + 1)$ -dimensional that is always tangent to the contact hyperplanes.) A **Legendrian embedding** is an embedding  $\phi : \Sigma^2 \hookrightarrow (M^5, \xi)$  of a smooth manifold  $\Sigma^2$  such that the image  $L^2 = \phi(\Sigma^2)$  is an embedded Legendrian surface. A smooth 1-parameter family of embedded Legendrian surfaces is called a **Legendrian isotopy**. Two Legendrian submanifolds  $L, L'$  are called **Legendrian isotopic** if there is a smooth 1-parameter family  $L_t, t \in [0, 1]$ , such that  $L_0 = L$  and  $L_1 = L'$ . Equivalently, a Legendrian isotopy is a smooth 1-parameter family  $\phi_t : \Sigma^2 \hookrightarrow (M^5, \xi)$  of Legendrian embeddings.*

Indeed all the terms in the above definitions can be restated for Legendrian knots as well. In particular, two Legendrian knots are equivalent if they are isotopic via a family of Legendrian knots. Inequivalent nullhomologous Legendrian knots can be distinguished by their Thurston-Bennequin number and rotation number, which are Legendrian isotopy invariants. The following invariant was originally defined by Bennequin [3] and independently, Thurston when  $n = 1$  and generalized to higher dimensions by Tabachnikov [26].

Given an orientable, connected, nullhomologous, Legendrian submanifold  $L^n$  in an oriented contact  $(2n + 1)$ -manifold  $(M, \xi)$ , we present an invariant  $tb(L)$  (see, for instance, [24]), called the **Thurston-Bennequin number (invariant)** of  $L$ . It is defined

with the help of the linking number as follows:

Pick an orientation on  $L$ . Let  $X$  be a Reeb vector field for  $\xi$  and push  $L$  slightly off of itself along  $X$  to get another oriented submanifold  $L'$  (Legendrian copy of  $L$ ) disjoint from  $L$ . The Thurston-Bennequin number of  $L$  is the linking number of  $L$  and  $L'$ , that is, we have

$$tb(L) = lk(L, L')$$

where  $lk$  denotes the linking number.

For the linking number, take any  $(n + 1)$ -chain  $C$  in  $M$  such that  $\partial C = L$ . Then  $lk(L, L')$  equals the algebraic intersection number of  $C$  with  $L'$ . Intuitively, the Thurston-Bennequin invariant (number) of  $L$  measures the twisting of  $\xi$  around  $L$ . We note that  $tb(L)$  is a Legendrian isotopy invariant in any odd dimension.

**Remark** (i) Note that  $tb(L)$  is independent of the choice of orientation on  $L$  since changing it changes also the orientation of  $L'$ .

(ii) For any orientable, connected, nullhomologous, Legendrian submanifold  $L$  in a contact manifold, we have  $tb(L) \in \mathbb{Z}$ .

**Example 2.5.1** Consider Legendrian knot  $L$  in  $(\mathbb{R}^3, \xi_{std})$  where  $\xi_{std} = \ker(dz + xdy)$ . Take its front projection, i.e., its projection to the  $yz$ -plane. The front projection has no vertical tangencies. Because if the projection had vertical tangency, then  $\frac{-dz}{dy} = x$  would be equal to  $\pm\infty$ .  $L$  can be approximated by another Legendrian knot for which the projection has only transverse double points and cusp singularities.  $\frac{\partial}{\partial z}$  is a transverse vector field to the contact plane  $\xi_{std}$  in  $\mathbb{R}^3$ . Hence, we can take a parallel copy  $L'$  of  $L$  by slightly pushing it in the positive  $z$ -direction. Thurston-Bennequin invariant,  $tb(L)$  is defined as the twisting of  $L'$ , the framing of  $L$  given by the contact planes relative to  $L'$ , relative to the framing given by the Seifert surface of  $L$ .

Let  $L$  be a Legendrian nullhomologous knot. Its Thurston-Bennequin number can be computed as follows: We have

$$tb(L) = lk(L', L'')$$



where  $L'$  and  $L''$  are pushoffs of  $L$  with respect to Seifert framing and contact framing, respectively. Contact framing is obtained by pushing  $L$  in a direction transverse to  $\xi$ , and Seifert framing is obtained by pushing  $L$  along a Seifert surface of  $L$ . Moreover, if we fix an orientation on  $L$ , i.e., if we get an oriented Legendrian knot  $L$ , then  $tb(L)$  can be computed as:

$$tb(L) = w(L) - \frac{1}{2}c(L)$$

where  $w(L)$  is the **writhe** of  $L$ ; i.e., the sum of the signs of the crossings with respect to the following Figure 2.6, and  $c(L)$  is the number of cusps in the front projection of  $L$ . The **cusps** is the singular point in the front diagram of  $L$ . Here,  $w(L)$  is independent of the choice of the orientation of  $L$  while it depends on the projection.

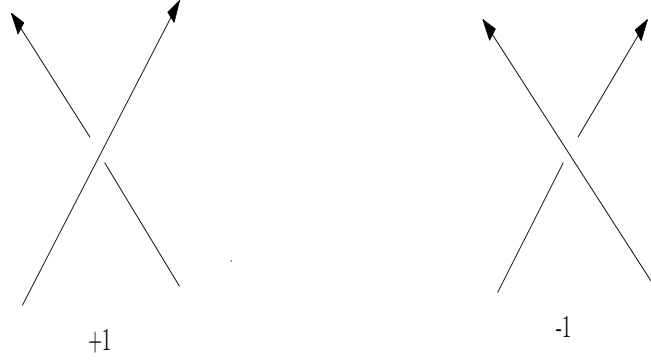


Figure 2.6: Positive and negative crossings.

**Definition 2.5.2** For an oriented Legendrian knot  $K$  in  $(\mathbb{R}^3, \xi_0 = \text{Ker}(dz + xdy))$  (or equivalently in  $(S^3, \xi_{st})$ ), its **rotation number**  $rot(K)$  is defined as

$$rot(K) = \frac{1}{2}(D - U)$$

where  $D$  (resp.  $U$ ) denotes the number of down (resp. up) cusps in the front projection of  $K$ .

**Example 2.5.2** In Figure 2.7, there are front diagrams of a Legendrian representatives of unknot and trefoil knot. The Thurston-Bennequin number and the rotation number of unknot is  $-1$  and  $0$ , respectively. Similarly, The Thurston-Bennequin number and the rotation number of trefoil knot is  $1$  and  $0$ , respectively.

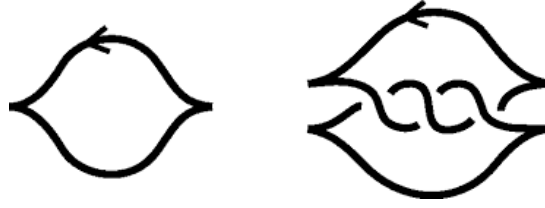


Figure 2.7: A Legendrian unknot (on the left) and a trefoil knot (on the right).

**Remark** Thurston-Bennequin number and rotation number are known as the classical invariants of Legendrian knots. Note that inequivalent Legendrian knots can be distinguished by these invariants.

**Definition 2.5.3** Let  $L$  be an oriented Legendrian knot in the standard contact structure  $\xi_{std}$  on  $\mathbb{R}^3$ . When we modify the front projection of  $L$  by adding a down cusp, we get **the positive stabilization** of a Legendrian knot  $L$ , which is denoted by  $S_+(L)$ . In a similar way, when we modify the front projection of  $L$  by adding a up cusp, we get **the negative stabilization** of a Legendrian knot  $L$ , which is denoted by  $S_-(L)$ .

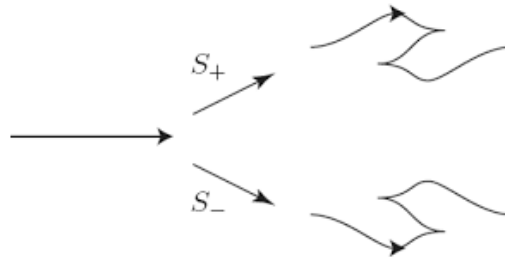


Figure 2.8: The positive and negative stabilizations of  $L$ .

**Remark** For a fixed topological knot type, different Legendrian representatives might have different Thurston Bennequin and rotation numbers. By adding more cusps, one can obtain new Legendrian representatives realizing any pregiven integer as a rotation number. However, although Thurston Bennequin number can be made arbitrarily small, it is not possible to increase forever. That is, stabilizing a Legendrian knot  $L$  changes the classical invariants as  $tb(S_{\mp}(L)) = tb(L) - 1$  and  $rot(S_{\mp}(L)) = rot(L) \mp 1$ . There are some relations between the Thurston–Bennequin and the rotation numbers of Legendrian realisations of a given knot type  $K$ . One of them is the **Bennequin**

**inequality** (due to Bennequin and Eliashberg) which holds in any tight contact manifold and for any nullhomologous Legendrian knot. This inequality provides an upper bound for the Thurston Bennequin number for nullhomologous Legendrian knots in tight contact 3-manifolds:

**Theorem 2.5.4 (Bennequin inequality)** *Let  $K$  be a Legendrian knot in a tight 3-manifold  $(M, \xi)$  which bounds a surface  $\Sigma \subset M$ . Then*

$$tb(K)_+ + |rot(K)| \leq -\chi(\Sigma)$$

where  $\chi(\Sigma)$  denotes the Euler characteristic of  $\Sigma$ .

## 2.6 Handle Decompositions of Stein Surfaces

Let's recall language of handlebodies. A copy of  $D^k \times D^{n-k}$  that is attached to the boundary of an  $n$ -manifold along its attaching region  $\partial D^k \times D^{n-k}$  is called a **handle of index  $k$**  or  **$k$ -handle**. We begin with a 0-handle, in fact empty set, and attach handles to built a (**smooth or topological**) **handlebody**. For the smooth case, we glue each handle by a smooth embedding of its attaching region, after smoothening the resulting corners. These corners can be along  $\partial D^k \times D^{n-k}$ . One can find the details in [16]. Conversely, starting from a real-valued Morse function on a manifold  $X$ , one can obtain its handlebody description which is also referred to as a **handle decomposition** of  $X$ . In fact, an  $i$ -handle is the smooth analogue of an  $i$ -cell. Note that every manifold (with or without boundary) is a handlebody. That is, it has an expression as a union of handles. A handlebody decomposition introduce the manifold up to homeomorphism. Furthermore, in dimension 4, they describe the smooth structure if the attaching maps are smooth. Following results will be used:

The phrase “a Stein surface” will refer to a Stein domain of real dimension 4. Pictures of handlebody diagrams of Stein surfaces (**Stein diagrams** for short) were studied extensively by Gompf [15]. He gave description of 1-handles in the setting of Stein surfaces and a standard form for Legendrian links in  $\#nS^1 \times S^2$  (= Boundary of the 0-handle  $\cup n$  1-handles). From this description, one can define and compute Thurston-Bennequin invariant.

**Definition 2.6.1** A *Legendrian link diagram* in standard form, like in the Figure 2.9, is given by the following way:

- $n$  1-handles, showed by horizontal ball pairs
- A collection of  $n$  horizontal distinguished segments corresponding to each ball pair
- A front projection of a generic *Legendrian tangle* (i.e., disjoint union of Legendrian knots and arcs) with endpoints touching the segments.

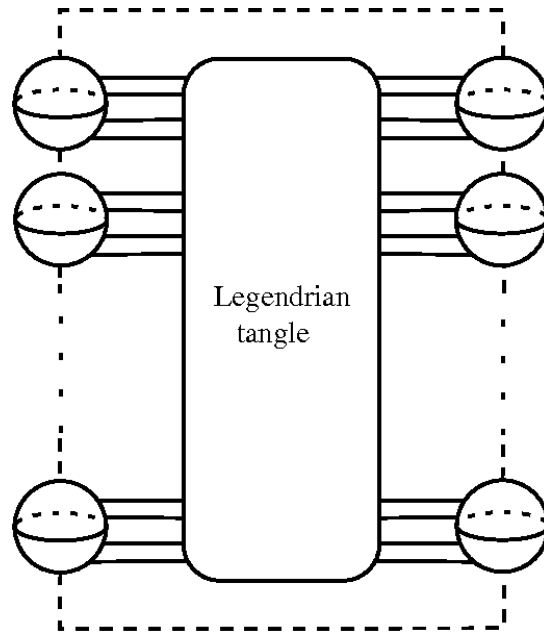


Figure 2.9: A Legendrian link diagram.

Similar to how it is defined for Legendrian knots in the standard contact three-space, the Thurston-Bennequin number of a Legendrian knot  $K$  in a boundary of a Stein surface can be defined as

$$tb(K) = w(K) - \frac{1}{2}c(K)$$

with the help of a Legendrian tangle (see [15]). The following result will be used later:

**Theorem 2.6.2** ([7], [15]) *An oriented, compact, connected 4-manifold  $X$  is a Stein surface if and only if it has a handlebody diagram which formed by a Legendrian link diagram such that 2-handles attached to link components  $L_i$ 's with framing  $tb(L_i) - 1$ .*

A band in  $(\mathbb{R}^3, \xi_{std})$  is called **Legendrian band** if its boundary consists of any Legendrian curve and push-off of it in the z-direction. For any two oriented Legendrian knot  $L_1$  and  $L_2$ , the connected sum of the knots by a Legendrian band is called **Legendrian connected sum**. Here any band can be used. However, its intersection with the rest of the link must be empty. When the orientation is consistent, this Legendrian sum is called a **Legendrian handle addition**. Otherwise we get a **Legendrian handle subtraction**. In the [6], there are details about this.

**Theorem 2.6.3 ([7, 16])** *An oriented 4-manifold admits a Stein structure if and only if it is diffeomorphic to the interior of a handlebody whose handles all have index  $\leq 2$ , and for which each 2-handle is attached along a Legendrian knot with framing obtained from the contact framing by adding one left twist.*



## CHAPTER 3

### RELATIVE PAGE CROSSING NUMBER

In this chapter, we give a definition of a Legendrian isotopy invariant step by step and also we give a proof of Spider Lemma.

We study Legendrian embeddings of a closed orientable Legendrian submanifold in a closed contact 5-manifold whose contact structure is supported by an open book with Weinstein (and so Stein) pages.

#### 3.1 Spider Lemma

Let  $(M^5, \xi = \text{Ker}(\alpha))$  be a closed, contact 5-manifold where  $\alpha$  is a (global) contact form with the Reeb vector field  $R$  that is compatible with an open book  $(B, f)$  on  $M$ .  $\xi$  is a positive contact structure, in other words,  $\alpha \wedge (d\alpha)^2 > 0$  with respect to a given orientation on  $M$ . Since  $(M, \xi)$  is a contact manifold,  $\xi$  determines a canonical orientation on  $M$ . So  $M$  is oriented 5-manifold.  $B$  is the binding of an associated abstract open book  $OB(X, h)$  where  $X$  is the page,  $B = \partial X$  and  $h$  is the monodromy. Thus,  $(B^3, \xi|_B = \text{Ker}(\alpha|_B))$  is the convex boundary of each symplectic page  $(X^4, d\alpha|_B)$ , and so it is a 3-dimensional tight contact (sub)manifold. ( $\alpha|_B$  is a contact form on  $B$ .) Let  $L$  be a closed orientable Legendrian surface of  $(M, \xi)$ , and so there is a Legendrian embedding  $\phi : \Sigma \hookrightarrow (M, \xi)$  such that  $\phi(\Sigma) = L$  where  $\Sigma$  is a 2-dimensional surface which determines the topological type of  $L$ . For the invariants that we will define, one first need to know that  $L$  and  $B$  intersect transversely, and the pages are Weinstein. To this end, we define the following class of supporting open books:

**Definition 3.1.1** *Let  $L$  be a closed, oriented, Legendrian submanifold of a closed contact 5-manifold  $(M, \xi)$ . An open book  $(B, f)$  on  $M$  supporting  $\xi$  is called an **admissible open book for  $L$**  if it has simply-connected Weinstein pages and  $L$  intersects  $B$  transversely.*

Let us start with showing that one can always find an open book whose binding intersects a given Legendrian surface transversely. For similar arguments, we refer the reader to [2].

**Lemma 3.1.2 (Spider Lemma)** *Let  $(M, \xi)$  be a closed contact 5-manifold and  $(B, f)$  an open book on  $M$  supporting  $\xi$  with Weinstein pages. Also let  $L$  be a closed orientable Legendrian surface of  $M$ . Then there exists an isotopy  $(B_t, f_t), t \in [0, 1]$  of open books all of which supporting  $\xi$  such that  $(B_0, f_0) = (B, f)$ ,  $(B_1, f_1) = (B', f')$ , and  $L$  intersects  $B'$  transversely.*

**Proof** If  $L$  and  $B$  transversely intersect, then there is nothing to prove. If they don't intersect transversely, then consider a neighborhood of  $B$  in  $M$  which can be identified with  $B \times D^2$ . Nearby generic  $B' \subset B \times D^2$  (which is a copy of  $B$ ) intersects  $L$  transversely. Then we can isotope  $B$  to  $B'$  (and accordingly the pages of the open book  $(B, f)$ ) using the flow of an appropriate contact vector field compactly supported in  $B \times D^2$ . (See Figure 3.1.) So, we obtain a family of open books  $\{(B_t, f_t)\}$  for  $M$  such that  $(B_0, f_0) = (B, f)$ ,  $(B_1, f_1) = (B', f')$ . Finally, we note that at any time  $t \in [0, 1]$  compatibility conditions in Definition 2.4.4 are satisfied by the open book  $(B_t, f_t)$  since the isotopy is based on a contact vector field.  $\square$

### 3.2 Definition of Relative Maximal Page Crossing Number

Assuming Spider Lemma have been already applied, we may start with a supporting open book  $(B, f)$  such that  $L \pitchfork B$  for a given closed, compact, orientable Legendrian surface  $L$  in a closed contact 5-manifold  $M$ . Since they intersect transversely, we have  $\dim(L \pitchfork B) = 0$ , and so they intersect along a finite number of points. Later we will be interested in minimal geometric intersection. Take any orientation on the Legendrian surface  $L$ . If the orientations of  $L$  and  $B$  are consistent at a transverse



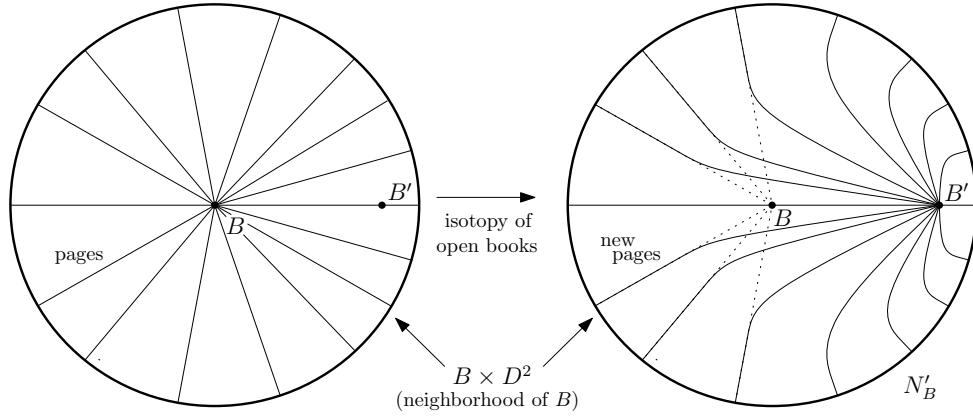


Figure 3.1: Isotoping a given open book so that the new binding  $B'$  intersects  $L$  transversally.

intersection point, then mark the point with plus (+), otherwise mark the point with minus (-). Continue this procedure until all the intersection points have labelled.

**Remark** • Since we need an open book structure,  $M$  must be closed.

- Since  $L$  and  $B$  are compact, their intersection consists of finitely many points. Note  $B$  is compact because of the open book structure.
- Homology intersection of  $L$  and  $B$  is 0. This is because  $B$  is the boundary of  $X$ . So  $B$  has zero homology class.
- By Eliashberg, stein fillability implies tightness. Hence the contact structure on  $B$  is tight.

From the above remark, the intersection of  $L$  and  $B$  consists of even number of points. The number of plus points is equal to the number of minus points because homology intersection is 0.

Consider the pages  $X_0 = f^{-1}(\theta), X_1 = f^{-1}(\theta + \pi)$  for  $\theta \in S^1$ . By genericity, we may assume  $L$  transversally intersects  $X_0, X_1$  and their common boundary  $B$ . Let  $D(X) = X_0 \cup_{\partial} X_1$  be the double of the page  $X$ , union of the pages  $X_0$  and  $X_1$  such that  $X_0 \cong X \cong X_1$ . That is,  $X_0$  and  $X_1$  are dual pages of each other. Clearly,  $D(X)$  is closed.  $(X_0, d\alpha_0)$  and  $(X_1, d\alpha_1)$  are Stein domains. (Recall from the explanation in the background that there exists always an open book whose pages are Stein.) Consider the handle decompositions as in Figure 3.2.

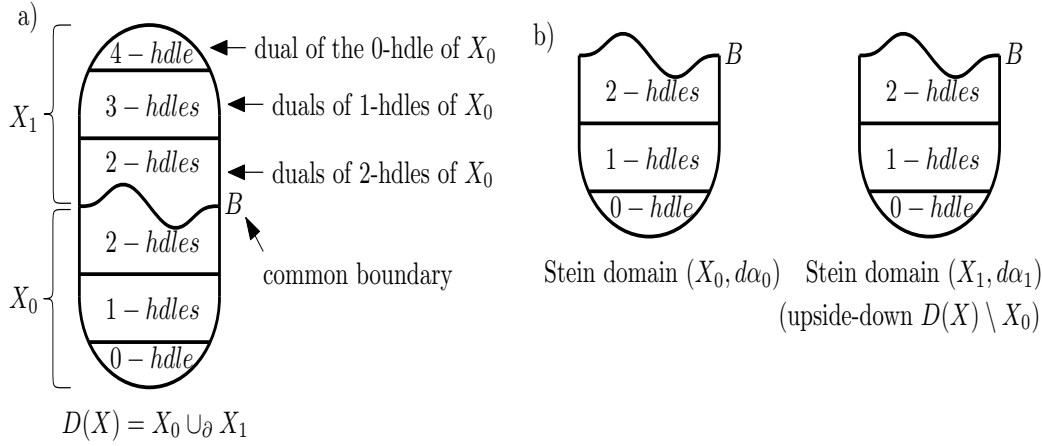


Figure 3.2: a) Handle decomposition of the double  $D(X)$ , union of the pages  $X_0$  and  $X_1$ . b) The Stein domains  $(X_0, d\alpha_0)$  and  $(X_1, d\alpha_1)$ .

Note that  $\dim(L) = 2$  and  $\dim(X) = 4$ , so  $\dim(L \pitchfork D(X)) = 1$ . That is,  $L$  and  $D(X)$  intersect at 1-dimensional curves generically. Let's first assume, for simplicity, that  $L \pitchfork X$  consists of a single curve  $K$ . Also let  $L \cap X_0 = k_0$ ,  $L \cap X_1 = k_1$ . That is,  $K = k_0 \cup k_1$ . For  $k_0$ , take orientation from plus point to the minus point. Similarly, for  $k_1$ , take orientation from minus point to the plus point. See Figure 3.3.

Sketch the Legendrian arcs for  $k_0$  and  $k_1$  in the Stein diagrams of  $X_0$  and  $X_1$ , respectively, and calculate Thurston-Bennequin numbers of these two arcs. Summing these two numbers will give us an integer, denoted by  $\tilde{tb}(K)$ . In other words, we define

$$\tilde{tb}(K) := tb(k_0) + tb(k_1).$$

In the general case, the intersection of  $L$  and  $D(X)$  may consist of finite number of curves, say  $K_1, K_2, \dots, K_r$ . (Note that  $K_i$ 's are disjoint by transversality theorem.) That is, Let us assume that

$$L \pitchfork D(X) = \bigsqcup_{i=1}^r K_i.$$

Again one can sketch the Legendrian arcs constructing the knot components of the link of the intersection of  $L$  with the double  $D(X)$  in the Stein diagrams of  $X_0$  and  $X_1$ , and therefore, we obtain a diagram in Figure 3.4 describing the transverse intersection  $L \pitchfork D(X)$ .

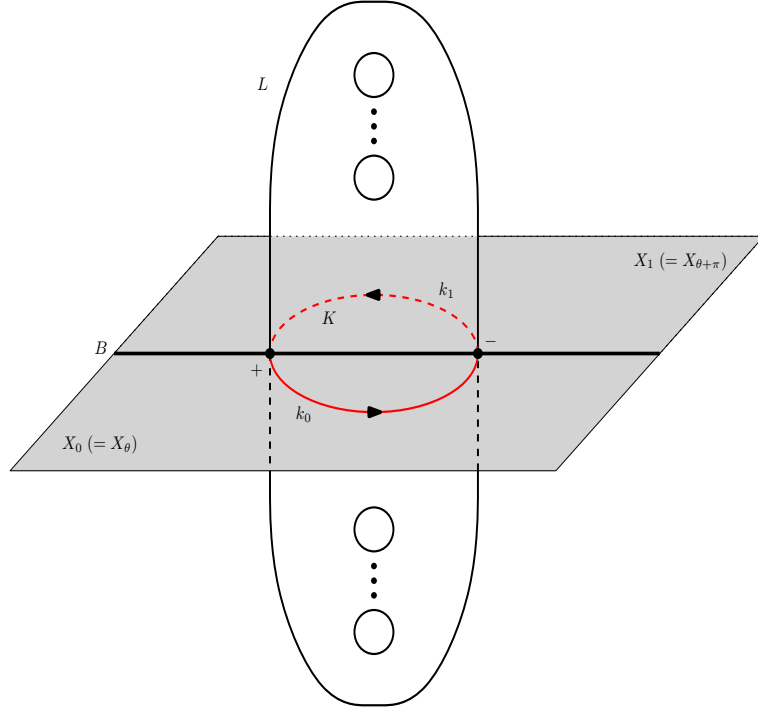


Figure 3.3: Embedded Legendrian surface  $L$  intersecting transversally the binding  $B$  and a pair of pages  $X_0$  and  $X_1$ . A typical knot component  $K = k_0 \cup k_1$  of the link of intersection of  $L$  with the double  $D(X) = X_0 \cup_{\partial} X_1$ .

For all knot components  $K_i = k_i^0 \cup k_i^1$ , we calculate  $\tilde{tb}(K_i)$  as above. Summing all these together and taking the maximum of such sums by changing  $L$  in its Legendrian isotopy class, one can define a number. First, we need some preliminary definitions:

**Definition 3.2.1** Let  $L \hookrightarrow (M^5, \xi)$  be a closed orientable Legendrian surface. Fix an admissible open book  $(B, f)$  for  $L$ . Consider

$$[L] = \{L' \subset (M, \xi) \mid L' \text{ is Legendrian isotopic to } L\}$$

This class is called the **Legendrian isotopy class** of  $L$ . Fix a page  $X$  of the open book  $(B, f)$ , and  $L'$  which is Legendrian isotopic to the  $L$  and transversally intersecting the double  $D(X)$ . Then the **page crossing number of  $L'$  with respect to  $X$**  is defined as

$$\mathcal{P}_X(L') = \sum_{i=1}^r \tilde{tb}(K_i).$$

Lastly, we say that the double  $D(X)$  **essentially intersects**  $L$  if we have

$$L' \cap D(X) \neq \emptyset, \quad \forall L' \in [L].$$

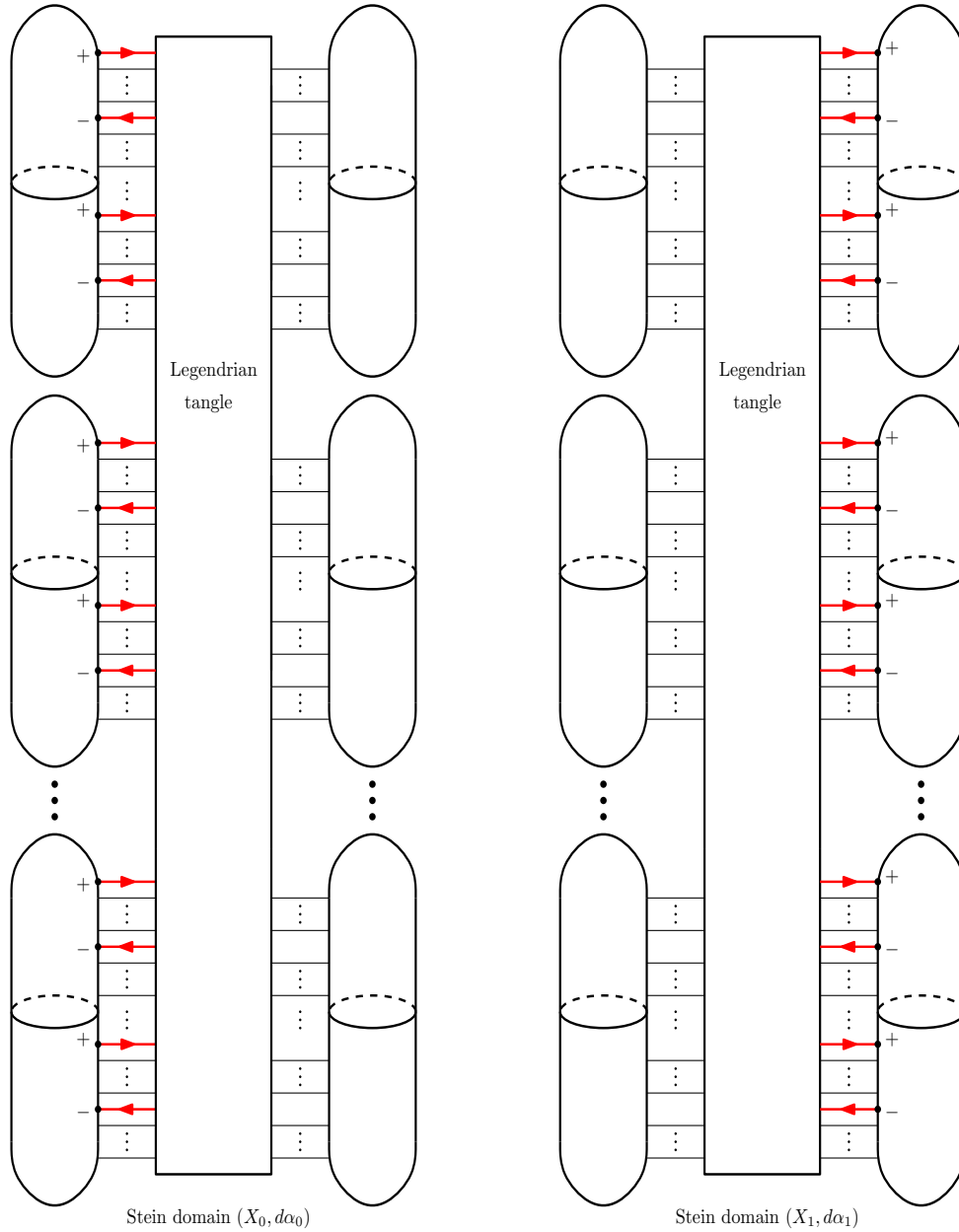


Figure 3.4: Legendrian arcs (in red) constructing the knot components of the link of  $L$  with the double  $D(X) = X_0 \cup_{\partial} X_1$ .

We are ready to define our first invariant:

**Definition 3.2.2** *Let  $L \hookrightarrow (M^5, \xi)$  be a closed orientable Legendrian surface. Fix an admissible open book  $(B, f)$  for  $L$  and a page  $X$  of  $(B, f)$  such that  $D(X)$  essentially intersects  $L$ . Then*

$$MP_X(L) := \text{Max} \{ \mathcal{P}_X(L') \mid L' \in [L] \text{ and } L' \pitchfork D(X) \}$$

is called the *relative maximal page crossing number of  $L$  with respect to  $X$* .

**Remark** We immediately note that (relative maximal) page crossing number can be defined for at least 5-dimensional contact manifolds: By definition of the binding,  $B$  is  $(2n - 1)$ -dimensional when  $M$  is  $(2n + 1)$ -dimensional, and so  $L^n \cap B$  is  $(n - 2)$ -dimensional. Hence, if  $M$  is 3-dimensional, then  $L \cap B$  must be  $(-1)$ -dimensional. And it is clear that this is impossible.

Well-definedness of  $MP_X(L)$  will be discussed in Chapter 4. Until then,  $MP_X(L)$  will be assumed to be well-defined. The following facts indicate that the most practical way of computing  $MP_X(L)$  is working in the case of geometrically minimal intersection.

**Lemma 3.2.3** *Let  $K = k_0 \cup k_1$  be a component of the link of intersection of  $L$  with the double  $D(X) = X_0 \cup_{\partial} X_1$  constructed using the minimal geometric intersection points of  $L$  and  $B$ . Suppose  $\gamma$  is an arc on the attaching sphere  $S$  of the 1-handle of  $X_i$  connecting the boundary points  $\partial k_i$ . Then the circle  $k_i \cup \gamma$  can not be a homotopically trivial in  $X_i$  for each  $i = 0, 1$ .*

**Proof** Take  $i = 1$  (the case  $i = 0$  is similar). The statement of the lemma is equivalent to say that  $k_i \cup \gamma$  can not bound a disc in  $X_1$ . Suppose there exists such a disk  $D \subset X_i$ . Then using the flow of a suitable contact vector field (compactly supported in a neighborhood of  $D$  in  $M$  which is indeed some Darboux ball  $\mathbb{D}^5$ ), we can Legendrian isotope  $L$  until the arc  $k_1$  disappears (i.e., the whole  $k_1$  is transformed into  $X_0$ ). This means that the  $\pm$ -intersection points corresponding to  $\partial k_1$  is canceling pair. Since in the new Stein pictures, there would be a less number of intersection point, this contradicts to the minimality. (See Figure 3.5.)  $\square$

**Remark** In Lemma 3.2.3, the path  $\gamma$  is chosen away from the points where other knots and arcs meet with  $S$ . Also in Figure 3.5, for simplicity,  $k_1$  is drawn with a single left cusp, but more number of cusps are also possible and threatened in the same way as long as the disk  $D$  exists. When we move  $k_1$ , this cusp (and hence the pair of

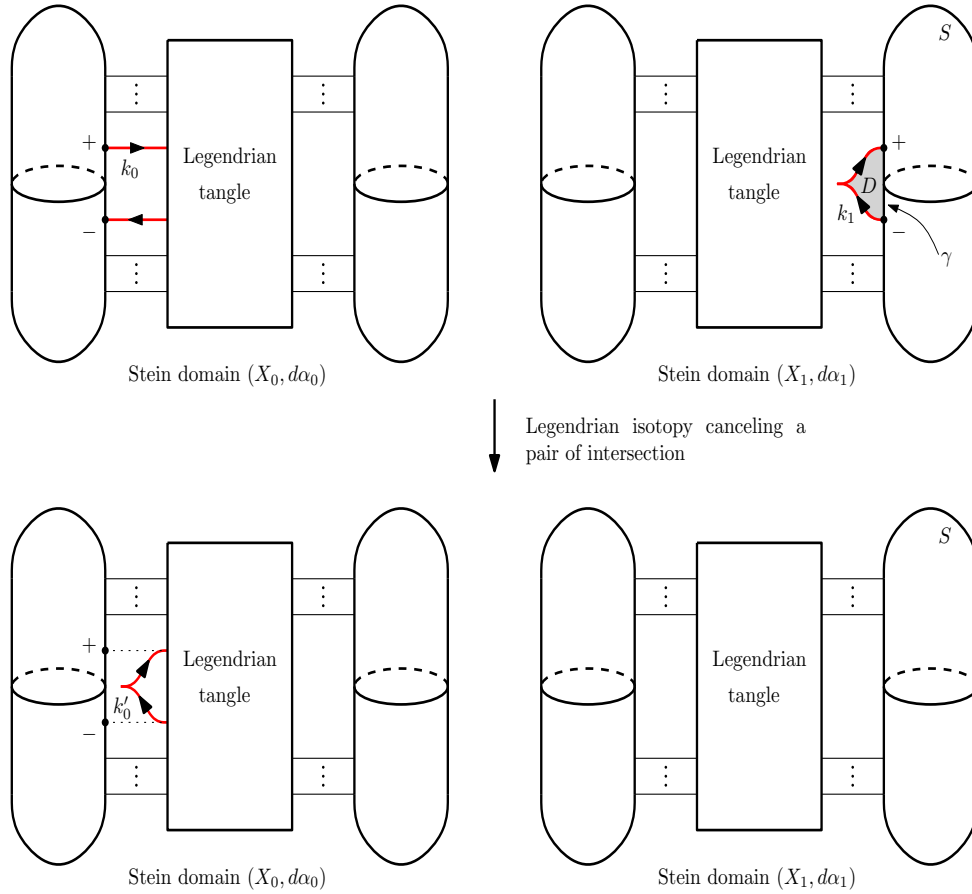


Figure 3.5: Realizing a Legendrian isotopy of  $L$  (canceling a pair of intersection points in  $L \cap B$ ) by isotoping  $L$  (through the disk  $D \subset X_1$  enclosed by  $k_1$  and the path  $\gamma$  on the attaching sphere  $S$  of the 1-handle of  $X_1$  joining the points "+" and "-") in the Stein diagrams  $(X_0, d\alpha_0)$  and  $(X_1, d\alpha_1)$ .

intersection points "+" and "-" will disappear. Note that after such a canceling a pair of intersection,  $\tilde{tb}$  doesn't change. That is,

$$tb(k_0) + tb(k_1) = tb(k'_0) + tb(k'_1) = tb(k'_0) \text{ (or } = tb(k'_1) \text{ in the case } i = 0).$$

**Lemma 3.2.4** *Let  $K = k_0 \cup k_1$  be a component of the link of intersection of  $L$  with the double  $D(X) = X_0 \cup_{\partial} X_1$  constructed using (not necessarily minimal) geometric intersection points of  $L$  and  $B$ . Suppose  $K$  is homotopically trivial in  $D(X)$ . Then*

$$\tilde{tb}(K) = tb(k_0) + tb(k_1) \leq -1.$$

**Proof** By assumption there exists a disk  $D \subset D(X)$  with  $K = \partial D$ . There are two cases: Either  $k_1 = \emptyset$  or  $k_1 \neq \emptyset$ . If  $k_1 = \emptyset$  holds, then  $K = k_0$  is a Legendrian unknot inside the Legendrian tangle in the Stein diagram of  $X_0$ . Therefore, it can be considered as a Legendrian unknot bounding the disk  $D$  inside the Stein fillable (and so tight) boundary  $\partial X_0$ . But then Theorem 2.5.4 implies that  $\tilde{tb}(K) \leq -1$ . If  $k_1 \neq \emptyset$  holds, then this means that  $D = D_0 \cup D_1$  where  $D_0, D_1$  are disks in  $X_0, X_1$ , respectively, which meet along an arc  $\gamma$  on the attaching spheres of the corresponding 1-handles of  $X_0$  and  $X_1$ . Then applying Lemma 3.2.3, one can transform  $K$  to  $K'$  which lies in  $X_0$ . Recall that  $\tilde{tb}(K) = \tilde{tb}(K')$ , that is the number  $\tilde{tb}$  does not change under the move described in the proof of Lemma 3.2.3 (Figure 3.5). Therefore, we are again in the first case above, i.e.,  $\tilde{tb}(K) = \tilde{tb}(K') \leq -1$ .  $\square$

**Lemma 3.2.5** *Let  $k'_0 \cup k'_1$  be a component of the link of intersection of  $L$  with the double  $D(X) = X_0 \cup_{\partial} X_1$  constructed using (not necessarily minimal) geometric intersection points of  $L$  and  $B$ . If the knot  $k'_0 \cup k'_1$  is homotopically trivial in both  $L$  and the double  $D(X)$ , then it can be ignored while computing  $MP_X(L)$ . That is,*

$$MP_X(L) > \mathcal{P}_X(L).$$

**Proof** Suppose there exists such a pair of Legendrian arcs  $k'_0$  and  $k'_1$  in the Stein diagrams of  $X_0$  and  $X_1$  whose union is homotopically trivial in both  $L$  and the double  $D(X)$ . Therefore, there are disks  $D_i \subset X_i$  such that the union  $D_0 \cup D_1 \subset D(X)$  (enclosed by  $k'_0 \cup k'_1$ ) is not punctured by the rest of  $L \cap D(X)$  and the attaching circles of the 2-handles of  $X_0$  and  $X_1$ , and also there is a disk  $D \subset L$  bounded by  $k'_0 \cup k'_1$  (Figure 3.6). Then one can get rid of the intersection arcs  $k'_0, k'_1$  (and so the corresponding intersection points  $p, q$ ) by isotoping  $B$  (and the pages of the open book) in a neighborhood of the 3-disk enclosed by the disk  $D \subset L$  and  $D_0 \cup D_1$  in  $M$  (which is some Darboux ball  $\mathbb{D}^5$ ) using the flow of an appropriate contact vector field compactly supported in  $N \cong \mathbb{D}^5$ . (See Figure 3.7.)

By Spider Lemma (Lemma 3.1.2) and the genericity, one can think of these isotopy results in a new open book (with the same monodromy) such that  $X_i$  transformed to a new page  $X'_i$  and  $B$  transformed to a new binding  $B'$ . Note that this contact isotopy eliminates  $k'_0, k'_1$ . Now we rewind this isotopy to move all the points inside

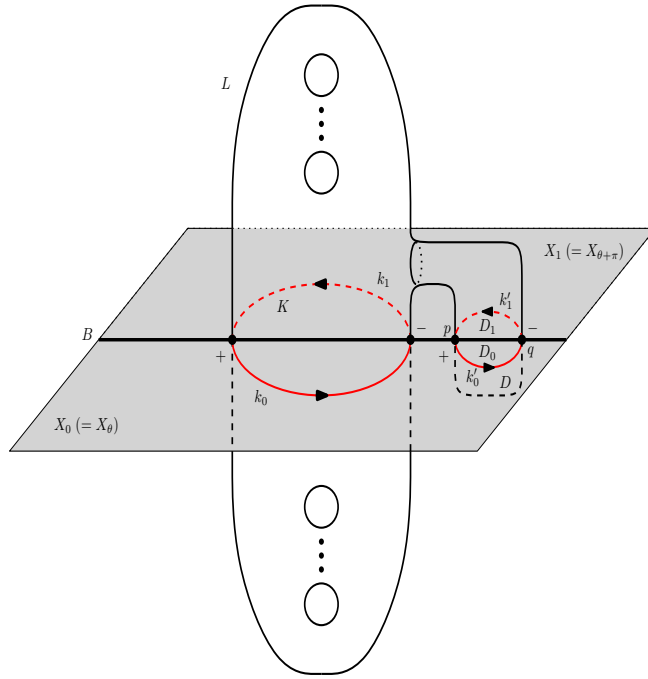


Figure 3.6: A (geometrically) cancelling pair of points ( $p$  and  $q$ ) of intersection between  $L$  and the binding  $B$ .

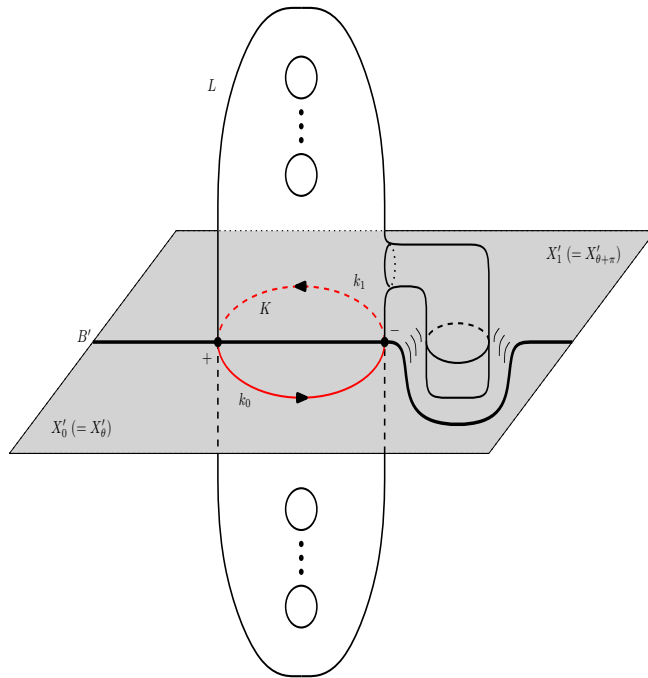


Figure 3.7: Isotoping the binding  $B$  and correspondingly all the pages of the open book using the flow of a compactly supported contact vector field.



the Darboux ball  $\mathbb{D}^5$  back to their original positions (at the initial time). While this transform  $X'_0, X'_1$  and  $B'$  back to their original positions, the part of  $L$  in  $\mathbb{D}^5$  will be pushed further, and we get a Legendrian isotopic copy  $L'$  of  $L$  which does not intersect  $B$  along  $k'_0, k'_1$ . Since the isotopy is compactly supported near  $k'_0, k'_1$ , the arcs describing  $L'$  in the Stein digrams of  $X_0$  and  $X_1$  coincides with the ones describing  $L$  outside the Darboux ball  $\mathbb{D}^5$ . Therefore, to picture  $L'$  in these diagrams, we simply erase the arcs  $k'_0, k'_1$  from the diagrams, and hence ignore their contributions to  $\tilde{tb}$ . That is, we have

$$\tilde{tb}(L') = \tilde{tb}(L) - [tb(k'_0) + tb(k'_1)].$$

On the other hand, by Lemma 3.2.4, we have  $tb(k'_0) + tb(k'_1) < 0$ , and so, combining this with the above equality we get

$$\mathcal{P}_X(L') > \mathcal{P}_X(L).$$

Hence,  $\mathcal{P}_X(L)$  can not be maximum, and so it is strictly less than  $M\mathcal{P}_X(L)$ .  $\square$



## CHAPTER 4

### PROOF OF THEOREM 1.0.1

In this chapter, we will show that the number  $MP_X(L)$ , which we define in Chapter 3, is preserved under Legendrian isotopies, and also explain why it is well-defined. We give definitions of two types of Legendrian isotopies and deal with  $MP_X(L)$  by considering possible types of Legendrian isotopies with respect to a fixed page. First, assuming the number  $MP_X(L)$  is well-defined, one can easily observe the following:

**Lemma 4.0.1** *The number  $MP_X(L)$  is invariant under Legendrian isotopies of  $L$ .*

**Proof** Consider any Legendrian isotopy  $L_t$  ( $t \in [0, 1]$ ) between  $L = L_0$  and  $L_1$ . Let  $X$  be a fixed page of an admissible open book  $(B, f)$  for  $L$  such that  $D(X)$  essentially intersects  $L$ . Suppose that  $L' \in [L]$  is a representative maximizing  $\mathcal{P}_X$ , that is,

$$MP_X(L) = \mathcal{P}_X(L').$$

Since  $L_1$  is Legendrian isotopic to  $L$ , we have  $[L_1] = [L]$ , that is, their Legendrian isotopy classes are the same. Therefore,  $L'$  is maximizing  $\mathcal{P}_X$  among all representatives in  $[L_1]$  as well, that is,

$$MP_X(L_1) = \mathcal{P}_X(L').$$

Hence,  $MP_X(L_1) = \mathcal{P}_X(L') = MP_X(L)$  as required.  $\square$

In order to show that  $MP_X(L)$  is well-defined, first of all, one needs to understand how  $\mathcal{P}_X(L)$  changes under possible types of Legendrian isotopies of  $L$ . For a fixed page  $X$ , there are two types of Legendrian isotopies of a given Legendrian surface  $L$  which are called a *regular isotopy* and an *irregular isotopy*.

Let  $L \hookrightarrow (M^5, \xi)$  be a closed orientable Legendrian surface. Take an admissible open book  $(B, f)$  for  $L$ . Fix a page  $X$  of the open book  $(B, f)$  such that  $L$  is transversely intersecting the double  $D(X)$ . (By genericity, this is possible.) we define:

**Definition 4.0.2** *A regular isotopy of  $L$  with respect to  $D(X)$  is a Legendrian isotopy  $L_t$  ( $t \in [0, 1]$ ) of  $L = L_0$  such that  $L_t$  transversely intersects  $D(X)$  for all  $t \in [0, 1]$ .*

Under the assumptions introduced above, we have

**Proposition 4.0.3** *The number  $\mathcal{P}_X(L)$  is invariant under regular Legendrian isotopies of  $L$  with respect to  $D(X)$ .*

**Proof** Consider a regular Legendrian isotopy  $L_t$  ( $t \in [0, 1]$ ) of  $L = L_0$ . By definition  $L_t$  transversely intersects  $D(X)$  for all  $t \in [0, 1]$ . We need to show that  $\mathcal{P}_X(L') = \mathcal{P}_X(L)$  where  $L' = L_1$  is the Legendrian copy of  $L$  at time  $t = 1$ .

Let  $K = k_0 \cup k_1$  be any knot component in  $L \pitchfork D(X)$ . Since  $L_t$  transversely intersects  $D(X)$  for all  $t \in [0, 1]$ , during the isotopy,  $K$  is transformed through knots  $K_t \in L_t \pitchfork D(X)$  to a knot component  $K' = k'_0 \cup k'_1 \in L' \pitchfork D(X)$  as depicted in Figure 4.1. (Here we think  $K = K_0$ ,  $K' = K_1$ .)

Observe that  $K_t, t \in [0, 1]$  indeed defines a Legendrian isotopy from  $K$  to  $K'$  when we consider their arcs to be embedded Legendrian arcs inside Stein diagrams of  $X_0$  and  $X_1$ . (See Figure 4.2 for a sample picture.)

Therefore, since their union are isotopic via Legendrian moves, the arcs constructing  $K$  and  $K'$  satisfies

$$tb(k_0) + tb(k_1) = tb(k'_0) + tb(k'_1),$$

and so,  $\tilde{tb}(K) = \tilde{tb}(K')$ . This implies that  $\mathcal{P}_X(L) = \mathcal{P}_X(L')$  because each summand of  $\mathcal{P}_X(L)$  agrees with the corresponding summand of  $\mathcal{P}_X(L')$  by the above discussion.

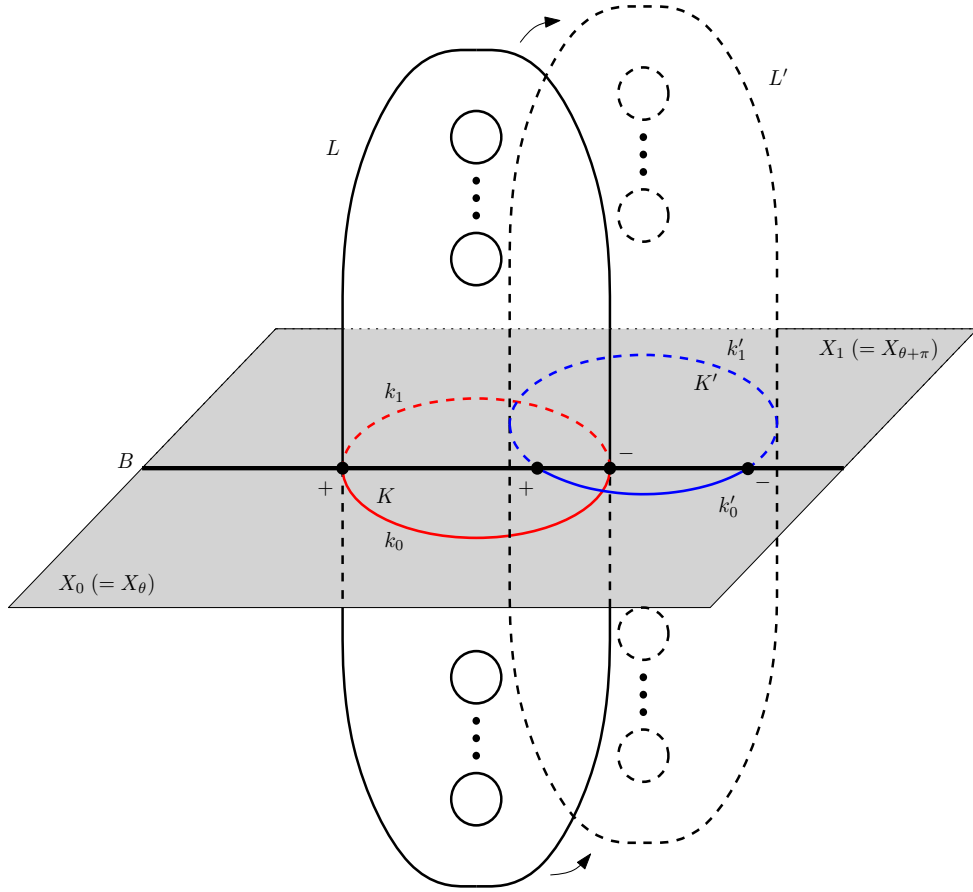


Figure 4.1: A regular Legendrian isotopy  $L_t$  taking  $L_0 = L$  to another Legendrian  $L_1 = L'$  which is still intersecting the double  $D(X) = X_0 \cup_{\partial} X_1$  transversally, but the new points of intersection in  $L' \cap B$  are possibly different than the older ones.

Observe that  $K_t, t \in [0, 1]$  indeed defines a Legendrian isotopy from  $K$  to  $K'$  when we consider their arcs to be embedded Legendrian arcs inside Stein diagrams of  $X_0$  and  $X_1$ . (See Figure 4.2) for a sample picture.)

Therefore, since their union are isotopic via Legendrian moves, the arcs constructing  $K$  and  $K'$  satisfies

$$tb(k_0) + tb(k_1) = tb(k'_0) + tb(k'_1),$$

and so,  $\tilde{tb}(K) = \tilde{tb}(K')$ . This implies that  $\mathcal{P}_X(L) = \mathcal{P}_X(L')$  because each summand of  $\mathcal{P}_X(L)$  agrees with the corresponding summand of  $\mathcal{P}_X(L')$  by the above discussion.  $\square$

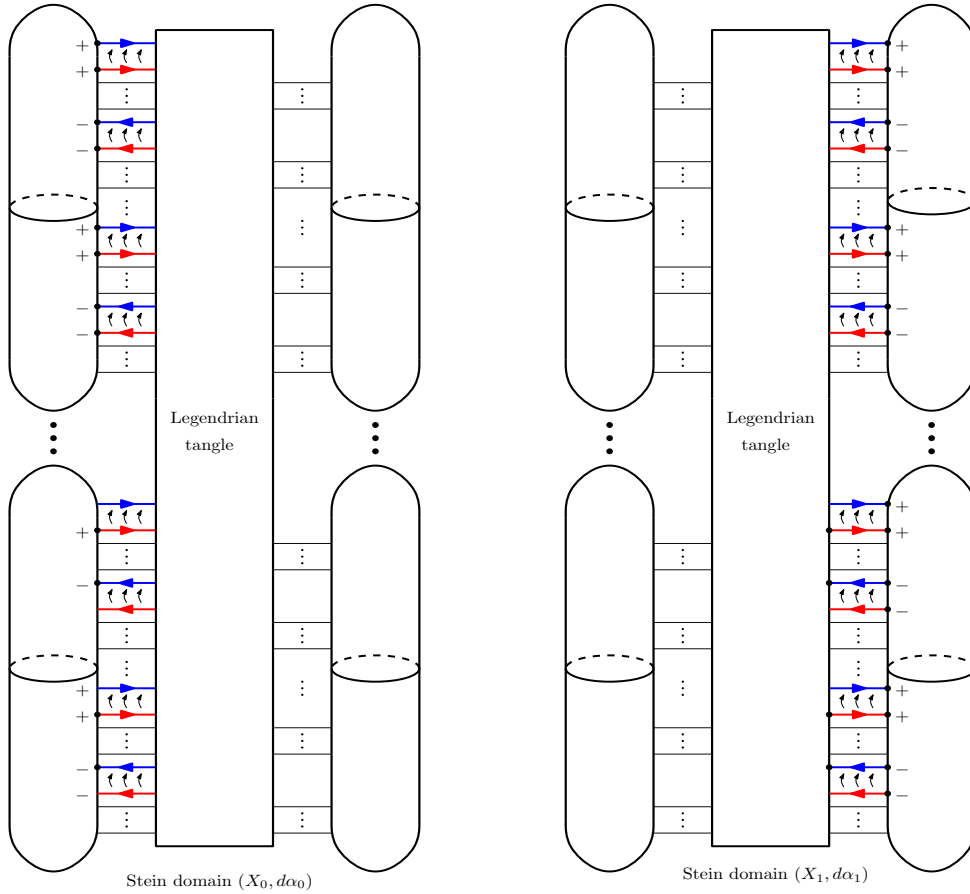


Figure 4.2: Realizing a regular Legendrian isotopy  $L_t$  ( $t \in [0, 1]$ ) taking  $L_0 = L$  to another Legendrian  $L_1 = L'$  in the Stein diagrams of  $X_0$  and  $X_1$ . The Legendrian arcs (in red) describing  $L \cap D(X)$  are Legendrian isotopic to those (in blue) describing  $L' \cap D(X)$  through a Legendrian isotopy  $K_t = L_t \cap D(X)$ ,  $t \in [0, 1]$ .

**Remark** Observe that all the arguments in the proof of Proposition 4.0.3 work whenever we take a Legendrian representative  $L$  from the Legendrian isotopy class  $[L]$  which transversely intersects the double  $D(X)$ . In particular, if  $L$  (which we start with at the beginning of the proof) is itself maximazing all such possible page crossing numbers, i.e., if

$$MP_X(L) = \mathcal{P}_X(L),$$

then the same will be also true for  $L'$ . As a result, we have  $MP_X(L) = MP_X(L')$ . Hence, this reproves Lemma 4.0.1 in the case of regular Legendrian isotopies with respect to  $D(X)$ .

Once again let  $L \hookrightarrow (M^5, \xi)$  be a closed orientable Legendrian surface. Take an admissible open book  $(B, f)$  for  $L$ . Fix a page  $X$  of the open book  $(B, f)$  such that  $L$  is transversely intersecting the double  $D(X)$ . We define:

**Definition 4.0.4** *An irregular isotopy of  $L$  with respect to  $D(X)$  is a Legendrian isotopy  $L_t$  ( $t \in [0, 1]$ ) of  $L = L_0$  such that  $L' = L_1$  still transversely intersects  $D(X)$  but the new intersection set  $L' \cap D(X)$  is obtained from  $L \cap D(X)$  via a sequence of births or deaths of intersection knots or due to degenerations of knots in  $L \cap D(X)$ .*

**Proposition 4.0.5** *During irregular Legendrian isotopies of  $L$  with respect to  $D(X)$ , there can not be any births or deaths of nontrivial intersection knots with  $D(X)$ . Moreover, under such isotopies, the number  $\mathcal{P}_X(L)$  makes only finite jumps due to births or deaths of unknots and degenerations of knots in  $L \cap D(X)$ .*

**Proof** Consider an irregular Legendrian isotopy  $L_t$  ( $t \in [0, 1]$ ) of  $L = L_0$ . By definition,  $L_t$  does not transversely intersect  $D(X)$  for all  $t \in [0, 1]$ . But generically almost all intersection will be transverse. After a small perturbation of the isotopy  $L_t$  (if necessary) but still calling the resulting isotopy  $L_t$ , one may assume that there are numbers  $0 < t_0 < t_1 < \dots < t_r < 1$  so that except finitely many  $L_{t_i}$ , ( $i = 0, 1, \dots, r$ ), any other  $L_t$  intersects  $D(X)$  transversely. Therefore, for the second statement, one needs to show that there exists  $N \in \mathbb{N}$  such that

$$|\mathcal{P}_X(L') - \mathcal{P}_X(L)| < N$$

where  $L' = L_1$  is the Legendrian copy of  $L$  at time  $t = 1$ .

Let us consider the case when we pass from time  $t = 0$  to  $t = t_0 + \epsilon$  for  $\epsilon < t_1 - t_0$ . (the discussion for passing  $t = t_i - \epsilon$  to  $t = t_i + \epsilon$  is similar.) First of all, comparing to those in  $L \cap D(X)$  if there are new unknots (births) in  $L_{t_0+\epsilon} \cap D(X)$  (they necessarily bound disks in  $D(X)$  by admissibility assumption), then these births arise as an unknot  $K$  which may (or may not) bound a disk  $D'$  in  $L_{t_0+\epsilon}$ , but they must bound a disk  $D$  in  $D(X)$  as depicted in Figure 4.3. The existence of the disk  $D$  and Lemma 3.2.4 implies that  $\tilde{tb}$  of all these unknots are negative, and so whenever such an unknot arises, this will decrease the number  $\mathcal{P}_X$ . Similarly, comparing to those in  $L \cap D(X)$

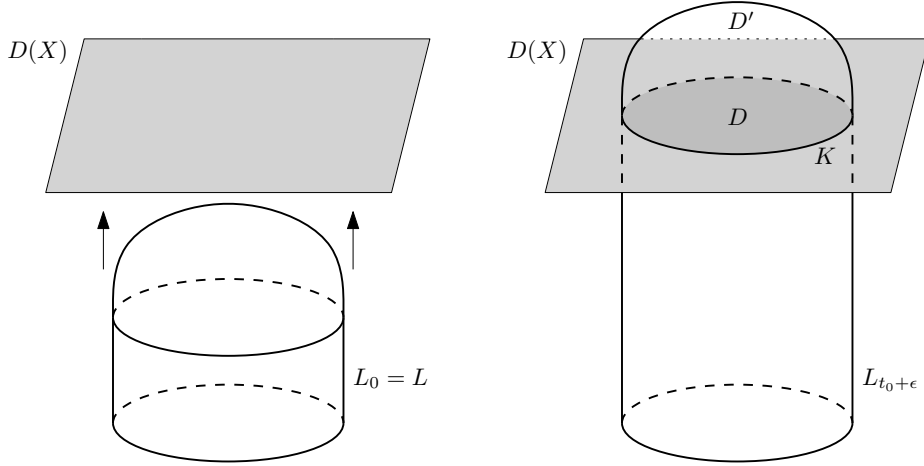


Figure 4.3: A birth of an unknot  $K$  during an irregular Legendrian isotopy  $L_t$  ( $t \in [0, 1]$ ).  $K$  bounds a disk  $D'$  in  $L_{t_0+\epsilon}$  and a disk  $D$  in  $D(X)$ .

if there are missing unknots (deaths) in  $L_{t_0+\epsilon} \cap D(X)$  (which were bounding disks in  $D(X)$ ), then these will increase the number  $\mathcal{P}_X$ .

Note that these births can not be non-trivial knots in  $L_{t_0+\epsilon}$  and none of the new knots can link to a knot in  $L_{t_0+\epsilon} \cap D(X)$  which was also in  $L \cap D(X)$  because otherwise there would be a time  $s \in (0, t_0 + \epsilon)$  such that  $L_s$  is not an embedding which is a contradiction. Similarly, none of the missing unknots (deaths) in  $L_{t_0+\epsilon} \cap D(X)$  can be a non-trivial knot and can link to a knot in  $L \cap D(X)$  at the time  $t = 0$ . To sum up, births and deaths in  $L_{t_0+\epsilon} \cap D(X)$  can occur only along unknots, say  $U_1, \dots, U_b$  are the births and  $U'_1, \dots, U'_d$  are the deaths. Note the total number of these births and deaths is finite due to smoothness and compactness arguments. Therefore, when passing from  $t = 0$  to  $t = t_0 + \epsilon$ , the change in  $\mathcal{P}_X$  due to births and deaths can be at most

$$|\tilde{t}\tilde{b}(U_1) + \dots + \tilde{t}\tilde{b}(U_b) - (\tilde{t}\tilde{b}(U'_1) + \dots + \tilde{t}\tilde{b}(U'_d))|.$$

Next, we will discuss the case when there are degenerations transforming some collection of knots in  $L \cap D(X)$  to new ones in  $L_{t_0+\epsilon} \cap D(X)$ . Degenerations may arise as either unifications or separations which are exactly the opposite of each other, and so it suffices to understand one of them. A typical situation of unification is the following: Suppose that the intersection knots  $K_1, K_2 \in L \cap D(X)$  degenerate during the isotopy and a new intersection knot  $K \in L' \cap D(X)$  arises while  $K_1, K_2$  disappear (unify) as depicted in Figure 4.4 and Figure 4.5 where for simplicity we assume that there is a single degeneration and take  $L' = L_{t_0+\epsilon}$ . In the Stein diagrams of  $X_0$  and



$X_1$ , this degeneration and the creation of  $K$  correspond to bringing the  $+, -$  points together on the attaching spheres of 1-handles, and then taking a Legendrian connect sum of  $K_1, K_2$  along an appropriate Legendrian band. (See Figure 4.5.) We note that such a degeneration may also appear away from the binding, that is, it can occur in the Legendrian tangle of one of the Stein diagrams of either  $X_0$  or  $X_1$ .

Observe that during an unification (resp. a separation), the number  $\tilde{tb}$  decreases (resp. increases) by 1. More precisely, in Figure 4.6, some different ways of obtaining a Legendrian connected sum of the knots  $K_1$  and  $K_2$  along appropriate Legendrian bands (in red) are given. Any Legendrian band connecting  $K_1$  and  $K_2$  may arise when  $K_1, K_2$  unify (and a new intersection knot  $K$  borns as  $K_1 \# K_2$ ) during an irregular Legendrian isotopy. Equivalently, any Legendrian band can occur when  $K$  separates and decomposes as the disjoint union of  $K_1, K_2$ . It is not hard to show that no matter which Legendrian band is used (arises) during a creation (resp. separation) of  $K = K_1 \# K_2$ , the number  $\tilde{tb}$  always decreases (resp. increases) by 1 because gluing with a Legendrian band always introduces one additional left cusp (see Figure 4.6). That is, the following always holds:

$$\tilde{tb}(K) = \tilde{tb}(K_1 \# K_2) = \tilde{tb}(K_1) + \tilde{tb}(K_2) - 1.$$

To summarize, when passing from time  $t = 0$  to  $t = t_0 + \epsilon$ , if there are  $M_u$  unifications and  $M_s$  separations (note the total number of degenerations is again finite by smoothness and compactness arguments), then the change in  $\mathcal{P}_X$  due to these degenerations can be at most

$$|M_u - M_s|.$$

Combining with the births and deaths argument above, we conclude that the change in  $\mathcal{P}_X$  (when passing from time  $t = 0$  to  $t = t_0 + \epsilon$ ) is finite and satisfies

$$|\mathcal{P}_X(L_{t_0+\epsilon}) - \mathcal{P}_X(L)| < N_0 := |\tilde{tb}(U_1) + \dots + \tilde{tb}(U_b) - (\tilde{tb}(U'_1) + \dots + \tilde{tb}(U'_d))| + |M_u - M_s|.$$

As a result, repeating the above argument for each  $t_i$  with  $0 < t_0 < t_1 < \dots < t_r < 1$ , we conclude that during the irregular Legendrian isotopy  $L_t$  ( $t \in [0, 1]$ ), the total change in  $\mathcal{P}_X$  is finite. More precisely, we have

$$|\mathcal{P}_X(L') - \mathcal{P}_X(L)| = |\mathcal{P}_X(L_1) - \mathcal{P}_X(L_0)| < N$$

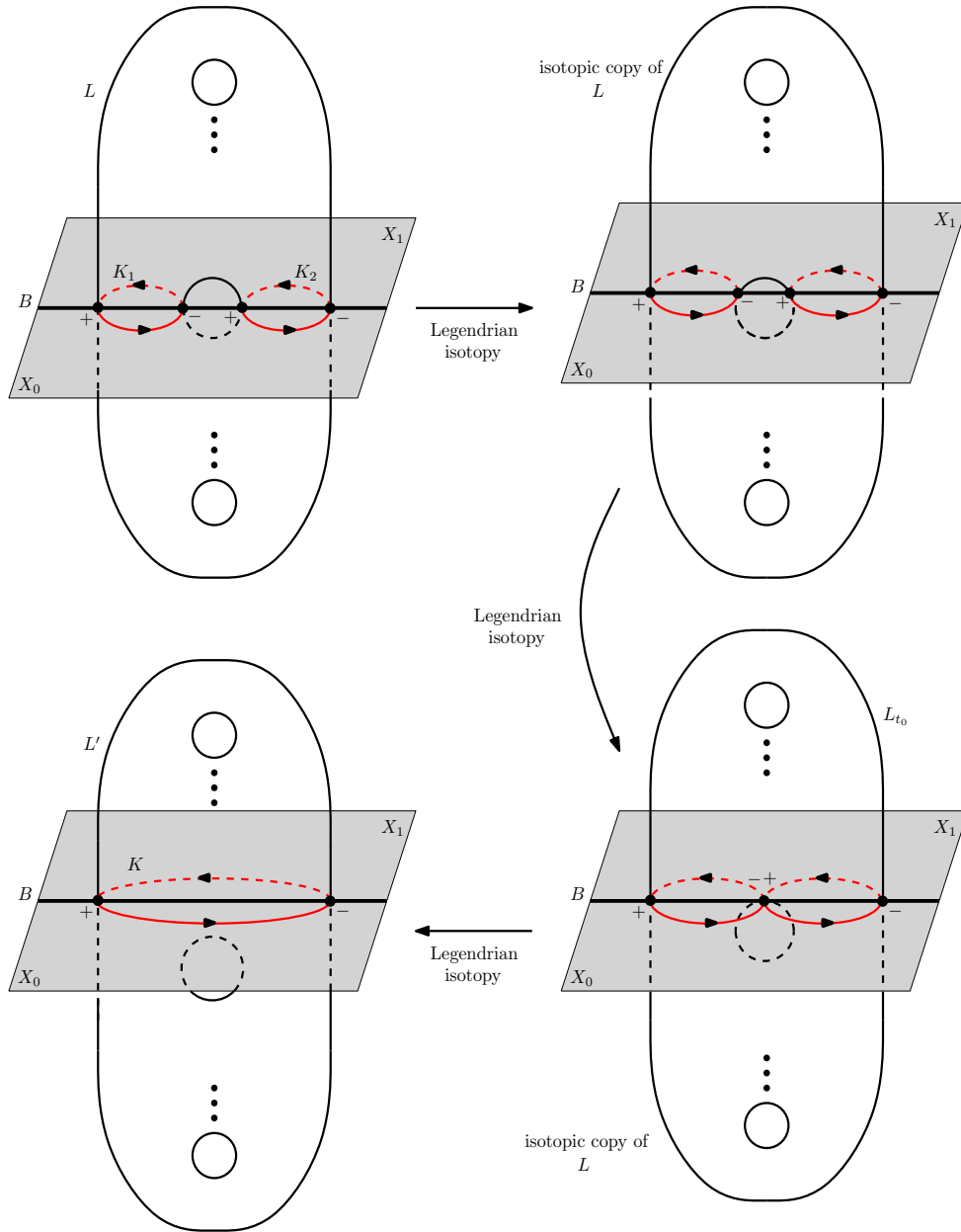


Figure 4.4: A typical degeneration (unification) during an irregular Legendrian isotopy  $L_t$  taking  $L_0 = L$  to another Legendrian  $L_1 = L'$  which also intersects the double  $D(X) = X_0 \cup_{\partial} X_1$  transversally, but the new arcs of intersection in  $L' \cap D(X)$  are possibly different than the older ones. Note that traveling in the opposite direction (i.e., from  $t = 1$  to  $t = 0$ ) describes a typical separation of  $K$  into  $K_1$  and  $K_2$ .

where  $N := N_0 + \dots + N_i + \dots + N_r$ . Here, for each  $i = 1, \dots, r$ , the bound  $N_i$  is

obtained (similarly to  $i = 0$  case above) by analyzing corresponding births/deaths and degenerations occurring when passing from  $t = t_i - \epsilon$  to  $t = t_i + \epsilon$ .  $\square$

**Theorem 4.0.6** *The number  $M\mathcal{P}_X(L)$  is well-defined.*

**Proof** Recall the definition of relative invariant:

$$M\mathcal{P}_X(L) := \text{Max} \{ \mathcal{P}_X(L') \mid L' \in [L] \text{ and } L' \pitchfork D(X) \}$$

where  $(B, f)$  is an admissible open book for  $L$  and a page  $X$  is chosen so that  $D(X)$  essentially intersects  $L$ . Therefore, for any  $L' \in [L]$ , the intersection  $L' \cap D(X)$  is non-empty which implies that the set

$$\mathcal{P}_X([L]) := \{ \mathcal{P}_X(L') \mid L' \in [L] \text{ and } L' \pitchfork D(X) \} \subset \mathbb{Z}$$

is a non-empty subset. In order to check well-definedness of  $M\mathcal{P}_X(L)$ , we need to verify that the set  $\mathcal{P}_X([L])$  attains its maximum value. That is, one needs to show that there exists  $L_{max} \in [L]$  such that

$$\text{Max}(\mathcal{P}_X([L])) = \mathcal{P}_X(L_{max}) < \infty.$$

Equivalently, we need to show that the number  $\mathcal{P}_X(L)$  can not be made arbitrarily large under Legendrian isotopies of  $L$ . By Proposition 4.0.3,  $\mathcal{P}_X(L)$  is invariant, and so, can not be made arbitrarily large under regular Legendrian isotopies of  $L$ . Therefore, it suffices to consider irregular Legendrian isotopies of  $L$ . By Proposition 4.0.5, we know that the jump in  $\mathcal{P}_X(L)$  under any irregular isotopy is finite. Consider the subset

$$[L]_{min} \subset [L]$$

of all Legendrian representatives of  $L$  in the class  $[L]$  which intersects  $D(X)$  transversely and minimally. In other words, for any  $\tilde{L} \in [L]_{min}$ , the set  $\tilde{L} \pitchfork D(X)$  is a link in  $D(X)$  contains no unknot components due to a birth which may arise during an irregular Legendrian isotopy. Clearly, by undoing any such isotopy (if needed) one can get rid of any such unknots (i.e., replacing any birth with the corresponding

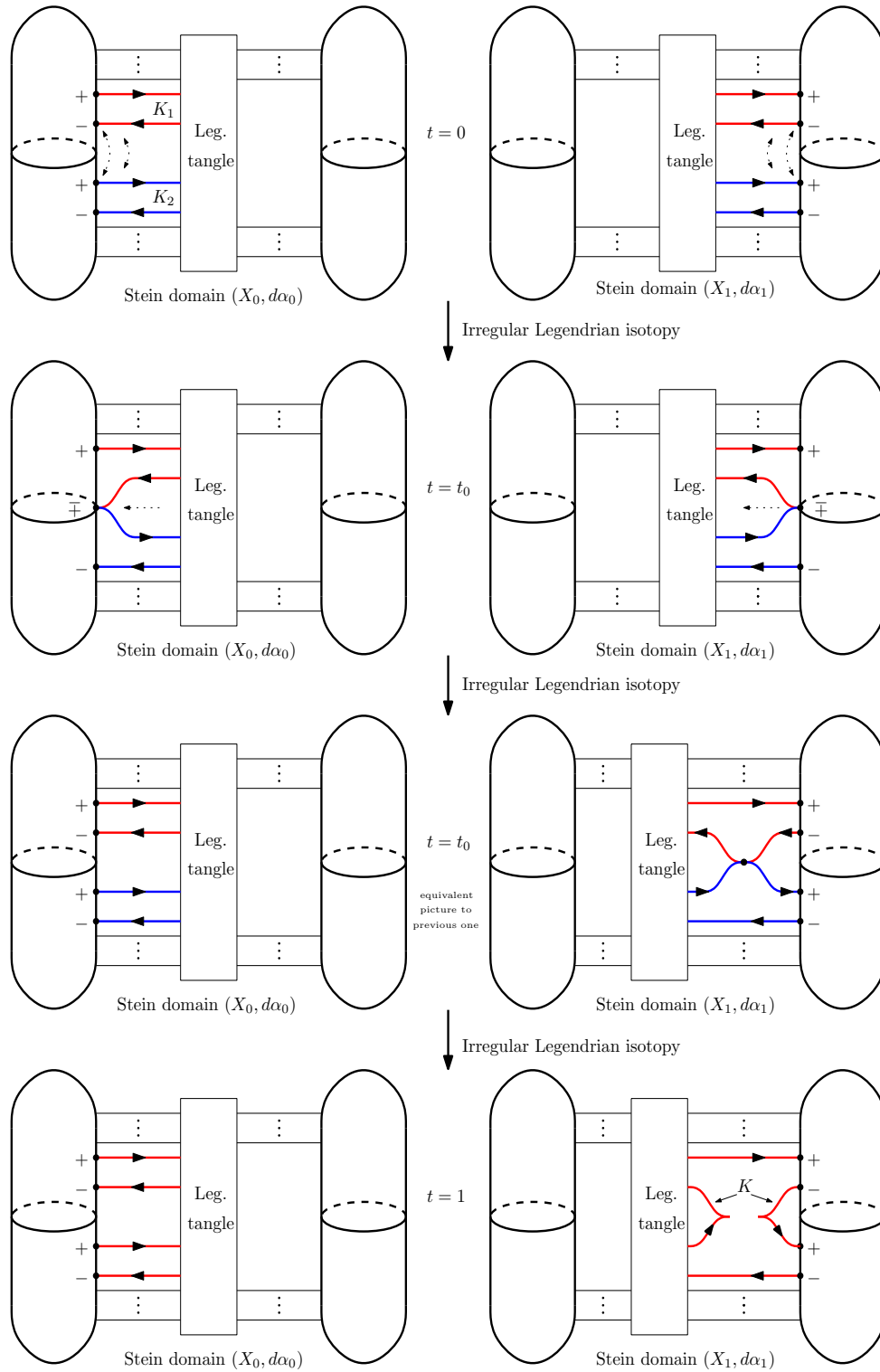


Figure 4.5: Realizing a degeneration (unification) of  $K_1, K_2 \in L \cap D(X)$  and the creation of  $K \in L' \cap D(X)$  during an irregular Legendrian isotopy  $L_t, t \in [0, 1]$ . ( $L_0 = L, L_1 = L'$  and  $L_{t_0}$  is not transverse to  $D(X)$ .)

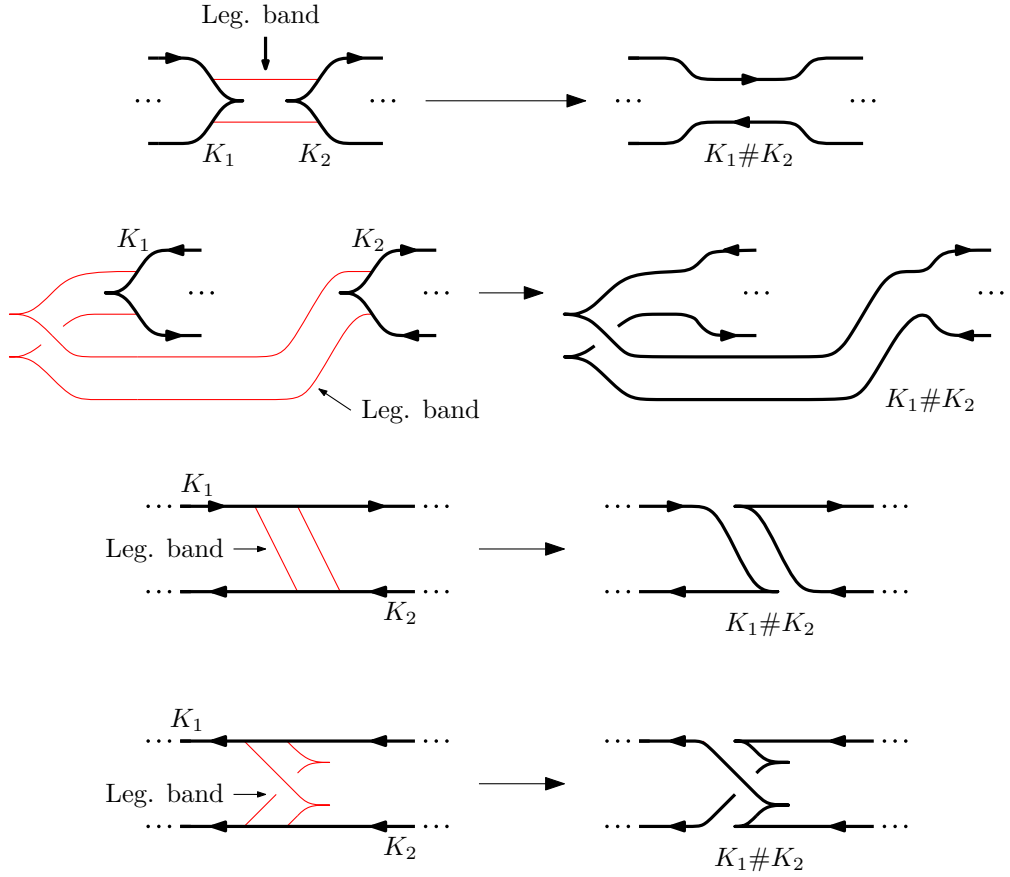


Figure 4.6: Some possible ways (but not all) of obtaining a Legendrian connected sum  $K_1 \# K_2$  of the knots  $K_1$  and  $K_2$  along appropriate Legendrian bands (in red).

death), any Legendrian representative  $L \in [L]$  intersecting  $D(X)$  transversely can be transformed to some  $\tilde{L} \in [L]_{min}$ . That is, there is a map

$$\Psi : [L] \longrightarrow [L]_{min}, \quad \Psi(L) = \tilde{L}.$$

From its construction, it is clear that  $\mathcal{P}_X(L') \leq \mathcal{P}_X(\Psi(L'))$  for any  $L' \in [L]$  with  $L' \pitchfork D(X)$ . Therefore, we have  $Max(\mathcal{P}_X([L])) = Max(\mathcal{P}_X([L]_{min}))$ , and hence, it suffices to focus on the set  $[L]_{min}$ , i.e., if  $L_{max}$  exists, then  $L_{max} \in [L]_{min}$ . Equivalently, one needs to show that there exists  $L_{max} \in [L]_{min}$  such that

$$Max(\mathcal{P}_X([L]_{min})) = \mathcal{P}_X(L_{max}) < \infty.$$

Now inside  $[L]_{min}$  consider the subset  $[L]_{min}^o \subset [L]_{min}$  which consists of all Legendrian representative of  $\tilde{L} \in [L]_{min}$  such that there exists a knot component  $K$  in the

link  $\tilde{L} \cap D(X)$  (of transverse minimal intersections) which separates into two knots  $K_1$  and  $K_2$  (via some irregular Legendrian isotopy with respect to  $D(X)$ ) such that at least one of  $K_i$ 's (say  $K_2$ ) is a homotopically nontrivial unknot in  $\tilde{L}$  and does not link to any other components of the resulting link of intersection. Equivalently,  $K_2$  does not bound a disk in  $\tilde{L}$  but it bounds a disk  $D$  in  $D(X) = X_0 \cup_{\partial} X_1$  which is not punctured with any other knot in the Stein diagrams of  $X_0$  and  $X_1$ . Such a knot component  $K$  will be called **decomposable**. Given  $\tilde{L} \in [L]_{min}^o$ , find all decomposable knots  $K \in \tilde{L} \cap D(X)$  and the corresponding  $K_2$ 's and  $D$ 's mentioned above. Composing irregular Legendrian isotopies separating  $K$ 's into  $K_1$ 's and  $K_2$ 's with suitable Legendrian isotopies compactly supported in small neighborhoods of  $D$ 's, one can get rid of all these  $K_2$ 's, and repeating this argument (if necessary) eventually we obtain a Legendrian representative

$$\bar{L} \in [L]_{min} \setminus [L]_{min}^o.$$

Recall that separation of a link component increases  $\tilde{tb}$  by 1, and also erasing a Legendrian unknot (corresponding  $K_2$ ) from Stein diagrams increases  $\tilde{tb}$  at least by 1. Therefore, for any  $\bar{L}$  obtained from  $\tilde{L} \in [L]_{min}^o$  as above, the following always holds:

$$\mathcal{P}_X(\tilde{L}) < \mathcal{P}_X(\bar{L}).$$

This means that if  $L_{max}$  exists, then it must be true that  $L_{max} \in [L]_{min} \setminus [L]_{min}^o$ . Equivalently, in order to prove the theorem, one needs to show that there exists  $L_{max} \in [L]_{min} \setminus [L]_{min}^o$  such that

$$Max(\mathcal{P}_X([L]_{min} \setminus [L]_{min}^o)) = \mathcal{P}_X(L_{max}) < \infty.$$

To proceed further, we need a partial order relation on the set of equivalence classes of links in  $D(X)$  consisting of all possible intersections of  $D(X)$  with elements in  $[L]_{min} \setminus [L]_{min}^o$ . More precisely, consider the set of links in  $D(X)$  defined by

$$\Lambda := \{L \pitchfork D(X) \mid L \in [L]_{min} \setminus [L]_{min}^o\}.$$

As discussed in the earlier sections, every element (link)  $K \in \Lambda$  can be realized as the union of collections  $k_0, k_1$  of Legendrian arcs drawn in the Stein diagrams of  $X_0, X_1$ ,

respectively. We will write  $\|K\| = \|K'\|$  and say that two links  $K, K' \in \Lambda$  are **isotopy equivalent** if each corresponding collections  $k_i, k'_i$  ( $i = 0, 1$ ) are related via Legendrian Reidemeister moves and their modifications (the ones which does not change  $tb$ ) for Stein digrams described in [15].

**Remark** Note that from the definition of page crossing number, for any  $L \in [L]_{min} \setminus [L]_{min}^o$ , we have

$$\mathcal{P}_X(L) = \tilde{tb}(L \natural D(X)) = \tilde{tb}(K).$$

Therefore, showing the existence of an  $L_{max} \in [L]_{min} \setminus [L]_{min}^o$  maximizing  $\mathcal{P}_X$  is equivalent to showing the existence of a  $K_{max} \in \Lambda$  maximizing  $\tilde{tb}$ .

Next we will define a partial order relation on the set

$$A := \{ \|K\| \mid K \in \Lambda \}.$$

**Definition 4.0.7** Let  $K_0, K_1 \in \Lambda$ , so there exist  $L_0, L_1 \in [L]_{min} \setminus [L]_{min}^o$  so that  $K_i = L_i \natural D(X)$ . We will write  $\|K_0\| \leq \|K_1\|$  if

- (I) There is a regular or an irregular Legendrian isotopy  $L_t$  ( $t \in [0, 1]$ ) with respect to  $D(X)$  having only separating degenerations such that whenever  $L_t$  is transverse to  $D(X)$ , we have

$$L_t \in [L]_{min} \setminus [L]_{min}^o.$$

- (II)  $\mathcal{P}_X(L_0) \leq \mathcal{P}_X(L_1)$  (or equivalently,  $\tilde{tb}(K_0) \leq \tilde{tb}(K_1)$ .)

**Lemma 4.0.8** The pair  $(A, \leq)$  is a partially ordered set.

**Proof Reflexivity:** For a given  $\|K\| \in A$ , consider any representative  $K \in \|K\|$  and corresponding  $L \in [L]_{min} \setminus [L]_{min}^o$ , i.e.,  $K = L \natural D(X)$ . Then one can consider the trivial Legendrian isotopy fixing all the points on  $L$  for all time  $t$ . The second condition is also clear. Therefore,

$$\|K\| \leq \|K\|.$$

*Anti-symmetry:* Suppose  $\|K_0\| \leq \|K_1\|$  and  $\|K_1\| \leq \|K_0\|$  for  $\|K_0\|, \|K_1\| \in A$ . Immediately, we observe  $\tilde{tb}(K_0) \leq \tilde{tb}(K_1)$  and  $\tilde{tb}(K_1) \leq \tilde{tb}(K_0)$ , and so

$$\tilde{tb}(K_0) = \tilde{tb}(K_1).$$

Consider any representatives  $K_0 \in \|K_0\|, K_1 \in \|K_1\|$  and the corresponding  $L_0, L_1 \in [L]_{min} \setminus [L]_{min}^o$  which are connected via a Legendrian isotopy  $L_t$  such that whenever  $L_t$  is transverse to  $D(X)$ , we have  $L_t \in [L]_{min} \setminus [L]_{min}^o$ .

If  $L_t$  is a regular Legendrian isotopy with respect to  $D(X)$ , then  $L_t$  transversely intersects  $D(X)$  for all  $t$ . In particular, this implies that  $L_t \cap D(X)$  is minimal and has no decomposable components for all  $t$  because  $L_0 \in [L]_{min} \setminus [L]_{min}^o$ . Also observe  $L_t$  induces an isotopy  $K_t := L_t \pitchfork D(X)$  (between  $K_0$  and  $K_1$ ) whose respective restrictions  $K_t \cap X_i$  ( $i = 0, 1$ ) defines Legendrian isotopies between components of  $K_0, K_1$  in  $X_0, X_1$ , respectively. In other words,  $\|K_0\| = \|K_t\| = \|K_1\|$ , so we are done in this case.

Now suppose  $L_t$  is an irregular Legendrian isotopy (of  $L_0$ ) with respect to  $D(X)$  having only separating degenerations. As in the proof of Proposition 4.0.5, suppose there are numbers  $0 < t_0 < t_1 < \dots < t_r < 1$  so that except finitely many  $L_{t_i}$ , ( $i = 0, 1, \dots, r$ ), any other  $L_t$  is an element of  $[L]_{min} \setminus [L]_{min}^o$ . By assumption, during  $L_t$  no births or deaths can arise, and only degenerations are separations. Recall that separations increase  $\mathcal{P}_X$  and so  $\tilde{tb}$  by 1. Therefore, one easily conclude that for any  $i$  when passing from  $t = t_i - \epsilon$  to  $t = t_i + \epsilon$ , there can not be any separations of knots in  $K_{t_i - \epsilon} := L_{t_i - \epsilon} \pitchfork D(X)$  because otherwise we would have

$$\tilde{tb}(K_0) \not\leq \tilde{tb}(K_{t_i + \epsilon}) \leq \tilde{tb}(K_1).$$

So,  $L_t$  must be a regular Legendrian isotopy indeed, and hence  $\|K_0\| = \|K_1\|$  as discussed above.

*Transivity:* Suppose  $\|K_0\| \leq \|K_1\|$  and  $\|K_1\| \leq \|K_2\|$  for  $\|K_0\|, \|K_1\|, \|K_2\| \in A$ . Immediately, we observe  $\tilde{tb}(K_0) \leq \tilde{tb}(K_1)$  and  $\tilde{tb}(K_1) \leq \tilde{tb}(K_2)$ , and so

$$\tilde{tb}(K_0) = \tilde{tb}(K_2).$$



For each  $i = 0, 1, 2$ , consider any representative  $K_i \in \|K_i\|$  and the corresponding  $L_i \in [L]_{min} \setminus [L]_{min}^o$ . By assumption, there are Legendrian isotopies  $L_t$  from  $L_0$  to  $L_1$  and  $L'_t$  from  $L_1$  to  $L_2$  with the prescribed conditions in Definition 4.0.7 part (I). Then one easily concludes that  $L'_t \circ L_t$  is a Legendrian isotopy from  $L_0$  to  $L_2$  with the desired properties. Thus,  $\|K_0\| \leq \|K_2\|$ .

Returning back to the proof of the theorem, next we will show that every chain in  $(A, \leq)$  has an upper bound in  $A$ . To this end, suppose that we are giving a chain

$$\|K_0\| \leq \|K_1\| \leq \|K_2\| \leq \dots \leq \|K_i\| \leq \dots.$$

Since regular Legendrian isotopies does not change the isotopy equivalence classes, it suffices to consider irregular Legendrian isotopy (with respect to  $D(X)$ ) having only separating degenerations. We need to show that under such isotopies, separations must eventually stop after a finite step, and when it stops the corresponding  $\tilde{tb}$  must be finite.

Let  $L_i$ 's be Legendrian representatives in  $[L]_{min} \setminus [L]_{min}^o$  such that, for each  $i \geq 0$ , we have  $K_i = L_i \# D(X)$  and  $L_{i+1}$  is the image of  $L_i$  under an irregular Legendrian isotopy  $L_i^t$  satisfying the condition (I) of Definition 4.0.7. Suppose the the link  $K_i$  consists of  $r_i$  knot components. (Recall by compactness there must be finite number of components for each  $K_i$ .) By Proposition 4.0.5 and from the assumptions  $K_i \in \Lambda$  and  $L_i \in [L]_{min} \setminus [L]_{min}^o$ , we know that each isotopy  $L_i^t$  consists only of finitely many separations, and  $\mathcal{P}_X$  (and so  $\tilde{tb}$ ) has a finite jump (increment) during each  $L_i^t$ . That is, we have

$$r_0 < r_1 < r_2 < \dots < r_i < \dots$$

with  $0 < r_{i+1} - r_i < \infty$ , and

$$\tilde{tb}(K_0) < \tilde{tb}(K_1) < \tilde{tb}(K_2) < \dots < \tilde{tb}(K_i) < \dots$$

with  $\tilde{tb}(K_{i+1}) - \tilde{tb}(K_i) < \infty$ .

Now observe that during the separations of any  $L_i^t$ , knot components in  $K_i$  split into “simpler” knot components (which form the link  $K_{i+1}$ ) which are still disjointly embedded simple closed curves in the resulting Legendrian surface  $L_{i+1}$ . From our choices, knot components in any  $K_i$  can not bound disks in  $L_i$  and can not be decomposable. Therefore, there must exist some  $i_{max} \in \mathbb{N}$  such that we can not proceed further. That is, we have

$$r_0 < r_1 < r_2 < \cdots < r_i < \cdots < r_{i_{max}}$$

where the sequence stops at  $r_{i_{max}} < \infty$ , and

$$\tilde{tb}(K_0) < \tilde{tb}(K_1) < \tilde{tb}(K_2) < \cdots < \tilde{tb}(K_i) < \cdots < \tilde{tb}(K_{i_{max}})$$

where the sequence stops at  $\tilde{tb}(K_{i_{max}}) < \infty$ .

Therefore, every chain in  $(A, \preceq)$  has an upper bound in  $A$ , and hence, by Zorn’s Lemma, the partially ordered set  $(A, \preceq)$  has at least one maximal element, say  $\|K_{max}\| \in A$ . Then by the definition of the partial order relation “ $\preceq$ ”, for a chosen representative  $K_{max} \in \|K_{max}\|$ , the number  $\tilde{tb}(K_{max}) < \infty$  (exists) and is the maximum value among all possible values obtained from such links of transverse intersections. Then for a corresponding Legendrian representative, say  $L_{max} \in [L]_{min} \setminus [L]_{min}^o$ , one obtains  $\mathcal{P}_X(L_{max})$  is finite and maximal among all, i.e., the relative invariant  $MP_X(L) = \mathcal{P}_X(L_{max})$  is well-defined.

## CHAPTER 5

### ABSOLUTE PAGE CROSSING NUMBER AND PROOF OF THEOREM 1.0.2

In this chapter we introduce page-free version of maximal page crossing number and show that this number is well-defined and invariant under Legendrian isotopies of a Legendrian surface  $L$ .

**Definition 5.0.1** *Let  $L \hookrightarrow (M^5, \xi)$  be a closed orientable Legendrian surface. Fix an admissible open book  $(B, f)$  for  $L$  **essentially intersecting**  $L$  which means that the double of every page of  $(B, f)$  essentially intersects  $L$ . Fix any page  $X$  of  $(B, f)$ . Then*

$$MP_{(B,f)}(L) := MP_X(L)$$

*is called the **absolute maximal page crossing number of  $L$  with respect to  $(B, f)$ .***

We start with the following fact which will be useful in proving well-definedness of  $MP_{(B,f)}(L)$ :

**Lemma 5.0.2** *The relative invariant  $MP_X(L)$  does not change under (small) perturbations of the double  $D(X)$  transverse to a Legendrian representative in  $[L]$  realizing  $MP_X(L)$ .*

**Proof** Suppose that  $L' \in [L]$  realizes  $MP_X(L)$ . In other words,  $D(X)$  transversely intersects the Legendrian isotopic copy  $L'$  of  $L$  and we have

$$MP_X(L) = P_X(L').$$

We want to show that  $M\mathcal{P}_X(L) = M\mathcal{P}_{X'}(L)$  for any pair  $X, X'$  of pages such that their doubles are isotopic to each other via a 1-parameter family of doubles of pages transverse to  $L'$ . Equivalently, need to show that

$$\mathcal{P}_X(L') = \mathcal{P}_{X'}(L').$$

To this end, suppose  $X = X_\theta, X' = X_{\theta'}$  is such a pair of pages. Let  $K = k_0 \cup k_1$  be any knot component of  $L' \pitchfork D(X)$ . Then as depicted in Figure 5.1 that a new knot component  $K' \in L' \pitchfork D(X')$  is (Legendrian) isotopic to the older one  $K$ . So, the contribution of  $K'$  to  $\mathcal{P}_{X'}(L')$  is the same as the contribution of  $K$  to the  $\mathcal{P}_X(L')$ . Thus, the claim follows.  $\square$

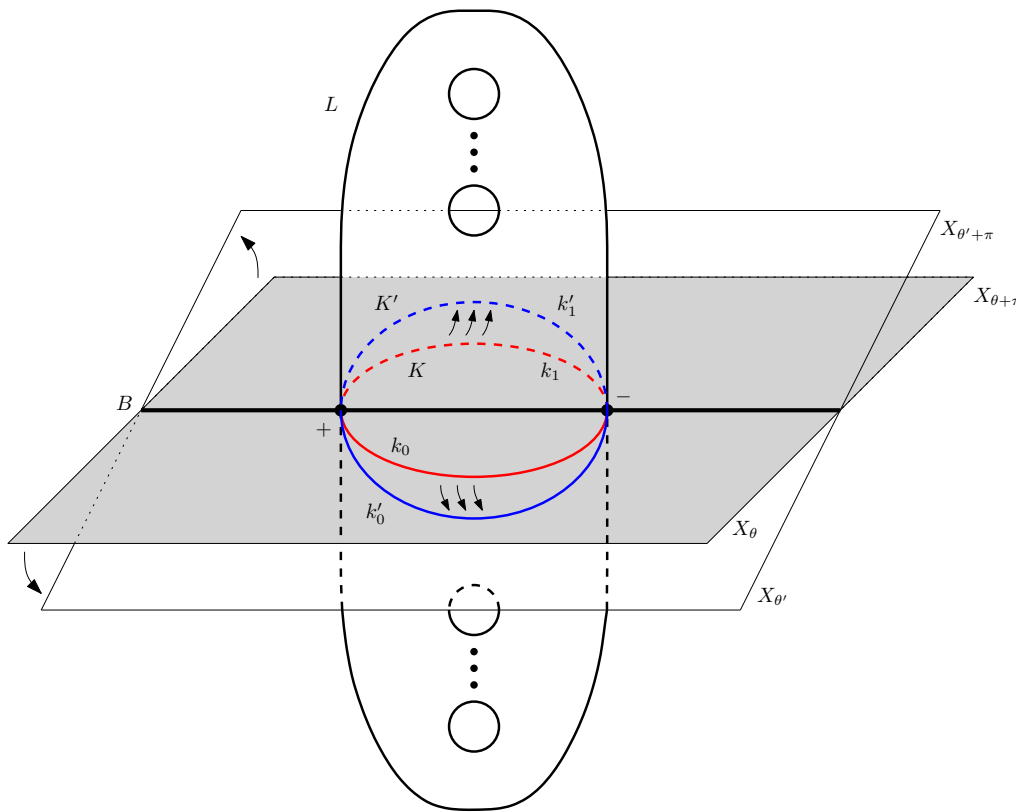


Figure 5.1: Replacing  $X_0 = X_\theta$  (resp.  $X_1 = X_{\theta+\pi}$ ) with a nearby (Stein) page  $X_{\theta'}$  (resp.  $X_{\theta'+\pi}$ ) which are still intersecting  $L'$  transversely. A new knot component  $K' = k'_0 \cup k'_1$  (isotopic to older one  $K$ ) of the link of intersection of  $L'$  with the new double  $X_{\theta'} \cup_{\partial} X_{\theta'+\pi}$ .

Now with the help of the results from previous chapters, one can easily prove the following:

**Proposition 5.0.3** *Let  $L \hookrightarrow (M^5, \xi)$  be a closed orientable Legendrian surface. Fix an admissible open book  $(B, f)$  for  $L$ . Then the number  $MP_{(B,f)}(L)$  is well-defined and invariant under Legendrian isotopies of  $L$ .*

**Proof** Recall the definition of  $MP_{(B,f)}(L)$ :

$$MP_{(B,f)}(L) := MP_X(L)$$

where  $X$  is any page of  $(B, f)$ , or equivalently,

$$MP_{(B,f)}(L) := MP_{X_\theta}(L) \text{ for a fixed } \theta \in S^1.$$

By assumption,  $D(X_\theta)$  essentially intersects  $L$  for all  $\theta \in S^1$ . For each  $\theta \in S^1$ , by Lemma 5.0.2, the number  $MP_{X_\theta}(L)$  takes the same value on some small enough neighborhood  $U_\theta$  of  $\theta$  in  $S^1$ , and so the collection  $\{U_\theta \mid \theta \in S^1\}$  is an open cover for  $S^1$ . By compactness of  $S^1$ , there exists a finite subcover, i.e., there exist  $\theta_1, \theta_2, \dots, \theta_r \in S^1$  such that

$$S^1 = U_{\theta_1} \cup U_{\theta_2} \cup \dots \cup U_{\theta_r}.$$

After renaming (if necessary), one may assume that for any two consecutive arcs, we have  $U_{\theta_i} \cap U_{\theta_{i+1}} \neq \emptyset$ . Since  $MP_{X_{\theta_i}}(L)$  and  $MP_{X_{\theta_{i+1}}}(L)$  take constant values on their domains, they must agree on  $U_{\theta_i} \cap U_{\theta_{i+1}}$ , and hence  $MP_{X_\theta}(L)$  takes a constant value on  $U_{\theta_i} \cup U_{\theta_{i+1}}$ . Repeating the argument (by changing  $i$  one by one), we conclude that  $MP_{X_\theta}(L)$  takes the same value on the whole  $S^1$ . Hence,  $MP_{(B,f)}(L) = MP_{X_\theta}(L)$  is independent of  $\theta$ , and, in particular, is well-defined.

Finally, the fact that  $MP_{(B,f)}(L)$  is invariant under Legendrian isotopies just follows from its definition combined with Lemma 4.0.1.  $\square$

Hence, Theorem 1.0.2 is proved.



## CHAPTER 6

### EXAMPLE FOR THE INVARIANTS

**Example 6.0.1** *Let  $\mathbb{C}^3$  be the complex space with the complex coordinates*

$$(z_1, z_2, z_3) = (r_1, \theta_1, r_2, \theta_2, r_3, \theta_3),$$

where  $z_j = r_j e^{i\theta_j}$  ( $j = 1, 2, 3$ ) are the polar coordinates, and  $\mathbb{S}^5$  be the unit 5-sphere in  $\mathbb{C}^3$ , i.e.,

$$\mathbb{S}^5 = \{(z_1, z_2, z_3) \mid |z_1|^2 + |z_2|^2 + |z_3|^2 = 1\}.$$

The restriction of the 1-form (a primitive of the standard symplectic form on  $\mathbb{C}^3$ )

$$\alpha_{st} = r_1^2 d\theta_1 + r_2^2 d\theta_2 + r_3^2 d\theta_3.$$

on  $\mathbb{S}^5$  is a contact form and defines the standard contact structure  $\xi_5$  on  $\mathbb{S}^5$ . So we have a closed contact manifold  $(\mathbb{S}^5, \xi_5 = \text{Ker}(\alpha_5))$  where  $\alpha_5 := \alpha_{st}|_{\mathbb{S}^5}$ .

We will consider an open book supporting  $\xi_5$  which is admissible for a Legendrian surface we pick later inside  $(\mathbb{S}^5, \xi_5)$ . Consider the standard 3-sphere

$$\mathbb{S}^3 = \{(z_1, z_2, z_3) \in \mathbb{S}^5 \mid z_1 = 0\} \subset \mathbb{S}^5$$

as a contact submanifold of  $\mathbb{S}^5$  as follows:

$$(\mathbb{S}^3, \xi_3 = \text{Ker}(\alpha_3)) \hookrightarrow (\mathbb{S}^5, \xi_5)$$

where  $\alpha_3 = r_2^2 d\theta_2 + r_3^2 d\theta_3 (= \alpha_5|_{\mathbb{S}^3})$  is the contact form (defining  $\xi_3$ ).

Consider the most standard open book on  $\mathbb{S}^5$  which can be explicitly described as follows:

$$\begin{aligned}\pi : \mathbb{S}^5 \setminus \mathbb{S}^3 &\longrightarrow S^1 \\ (r_1, \theta_1, r_2, \theta_2, r_3, \theta_3) &\longmapsto \theta_1.\end{aligned}$$

Note that the standard  $\mathbb{S}^3$  is the binding, and a typical page  $X_{\theta_1} = \pi^{-1}(\theta_1)$  is an open 4-ball (simply connected and Weinstein). The closure of  $X_{\theta_1}$  (still denoted by  $X_{\theta_1}$  for simplicity) can be parametrized by

$$\begin{aligned}X_{\theta_1} = \pi^{-1}(\theta_1) : \\ \left\{ \vec{\Gamma} : D^4 \longrightarrow S^5, \quad (\rho_1, \phi_1, \rho_2, \phi_2) \longmapsto (\sqrt{1 - \rho_1^2 - \rho_2^2}, \theta_1, \rho_1, \phi_1, \rho_2, \phi_2) \right\}.\end{aligned}$$

(Clearly,  $X_{\theta_1}$  is diffeomorphic to  $D^4$ , and note  $0 \leq \rho_1^2 + \rho_2^2 \leq 1$ .) One can easily check that the embedded open book  $(\mathbb{S}^3, \pi)$  on  $\mathbb{S}^5$  supports  $\xi_5$  and the corresponding abstract open book is  $(D^4, id_{D^4})$  (with a trivial monodromy).

Let's now pick a Legendrian surface  $L$  inside  $(\mathbb{S}^5, \xi_5)$ . For a fixed constant  $k$ , consider the **Clifford torus** (a well-known and well-studied surface) defined by

$$L = T_k = \left\{ (z_1, z_2, z_3) \in \mathbb{C}^3 \mid |z_1|^2 = |z_2|^2 = |z_3|^2 = \frac{1}{3}, \quad \theta_1 + \theta_2 + \theta_3 = k \right\} \subset \mathbb{S}^5$$

(note in polar coordinates we have  $r_1^2 = r_2^2 = r_3^2 = \frac{1}{3}$ .) Clearly  $T_k$  is a surface inside  $\mathbb{S}^5$ . One needs to check that  $T_k$  is Legendrian  $(\mathbb{S}^5, \xi_5)$ . To this end, consider the following parametrization for  $T_k$  where  $\varphi_1, \varphi_2$  are angular coordinates on an abstract torus  $T^2$ :

$$\begin{aligned}T_k : \quad \vec{\sigma}(\varphi_1, \varphi_2) &= \left( \frac{1}{\sqrt{3}}, \varphi_1, \frac{1}{\sqrt{3}}, \varphi_2, \frac{1}{\sqrt{3}}, k - \varphi_1 - \varphi_2 \right) \in \mathbb{S}^5 \\ \vec{\sigma}_{\varphi_1} &= \langle 0, 1, 0, 0, 0, -1 \rangle = \frac{\partial}{\partial \theta_1} - \frac{\partial}{\partial \theta_3} \\ \vec{\sigma}_{\varphi_2} &= \langle 0, 0, 0, 1, 0, -1 \rangle = \frac{\partial}{\partial \theta_2} - \frac{\partial}{\partial \theta_3}\end{aligned}$$

Then, we easily see that

$$\begin{aligned}\alpha_5 |_{T_k} &= \frac{1}{3}d\theta_1 + \frac{1}{3}d\theta_2 + \frac{1}{3}d\theta_3 \\ \alpha_5 |_{T_k} (\vec{\sigma}_{\varphi_1}) &= 0 = \alpha_5 |_{T_k} (\vec{\sigma}_{\varphi_2}).\end{aligned}$$

Therefore,  $T_k$  is a Legendrian torus in  $(\mathbb{S}^5, \xi_5)$ . Let's understand how  $T_k$  intersects with the binding  $\mathbb{S}^3$  and a typical page  $X_{\theta_1} \approx D^4$ :



For  $T_k \cap \mathbb{S}^3$ , we have

$$\mathbb{S}^3 = \{(z_1, z_2, z_3) \in \mathbb{C}^3 \mid z_1 = 0\} = \{r_2^2 + r_3^2 = 1, r_1 = 0\}.$$

But on  $T_k$ ,  $r_1 = \frac{1}{\sqrt{3}} \neq 0$ . Hence,  $T_k \cap \mathbb{S}^3 = \emptyset$ . In particular, this shows that the binding of the open book  $(\mathbb{S}^3, \pi)$  intersects  $T_k$  transversely.

For  $K_{\theta_1} := T_k \cap X_{\theta_1}$ ,

$$\begin{aligned} X_{\theta_1} : \left\{ \vec{\Gamma}(\rho_1, \phi_1, \rho_2, \phi_2) = (\sqrt{1 - \rho_1^2 - \rho_2^2}, \theta_1, \rho_1, \phi_1, \rho_2, \phi_2) \right\} \\ T_k : \vec{\sigma}(\varphi_1, \varphi_2) = \left( \frac{1}{\sqrt{3}}, \varphi_1, \frac{1}{\sqrt{3}}, \varphi_2, \frac{1}{\sqrt{3}}, k - \varphi_1 - \varphi_2 \right). \end{aligned}$$

Equating the corresponding coordinates, one gets the equations defining the intersection  $K_{\theta_1}$ :

$$\sqrt{1 - \rho_1^2 - \rho_2^2} = \frac{1}{\sqrt{3}}, \quad \theta_1 = \varphi_1, \quad \rho_1 = \frac{1}{\sqrt{3}}, \quad \phi_1 = \varphi_2, \quad \rho_2 = \frac{1}{\sqrt{3}}, \quad \phi_2 = k - \varphi_1 - \varphi_2.$$

If we let  $\phi_1 = \varphi_2 = \theta$ , then we obtain the parametrization of  $K_{\theta_1}$  given by

$$K_{\theta_1} : \quad \vec{r} : S^1 \rightarrow \mathbb{S}^5, \quad \vec{r}(\theta) = \left( \frac{1}{\sqrt{3}}, \theta_1, \frac{1}{\sqrt{3}}, \theta, \frac{1}{\sqrt{3}}, k - \theta_1 - \theta \right).$$

Note that the parameter  $\theta$  appears in two distinct angular coordinates with opposite signs, and so  $K_{\theta_1}$  is an embedded unknot in  $\mathbb{S}^5$  sitting as a  $(1, -1)$ -torus knot on the Clifford torus  $T_k$ . Note that following the same steps, one can also consider  $K_{\theta_1 + \pi} := T_k \cap X_{\theta_1 + \pi}$  which is also a  $(1, -1)$ -torus knot on the Clifford torus  $T_k$  (a parallel copy of  $K_{\theta_1}$ ). Hence, we conclude that the double  $D(X) = X_{\theta_1} \cup_{\partial} X_{\theta_1 + \pi}$  intersects  $T_k$  transversely and essentially along the (un)link  $D(X) \cap T_k = K_{\theta_1} \sqcup K_{\theta_1 + \pi}$ .

Now observe that

$$\begin{aligned} \vec{r}'(\theta) = \langle 0, 0, 0, 1, 0, -1 \rangle = \frac{\partial}{\partial \theta_2} - \frac{\partial}{\partial \theta_3}, \\ \alpha_3|_{K_{\theta_1}} = \frac{1}{3}d\theta_2 + \frac{1}{3}d\theta_3, \end{aligned}$$

so  $\alpha_3|_{K_{\theta_1}}(\vec{r}'(\theta)) = 0$ . Hence, one can think of  $K_{\theta_1}, K_{\theta_1+\pi}$  as Legendrian unknots in  $(\mathbb{S}^3, \xi_3)$ .

Moreover, we also have

$$\begin{aligned} \alpha_5|_{X_{\theta_1}} &= \Gamma^*(\alpha_5) = \underbrace{d(1 - \rho_1^2 - \rho_2^2)}_{=0} \wedge d\theta_1 + \rho_1^2 d\phi_1 + \rho_2^2 d\phi_2 = \rho_1^2 d\phi_1 + \rho_2^2 d\phi_2, \text{ and so} \\ d(\alpha_5|_{X_{\theta_1}}) &= d(\rho_1^2 d\phi_1 + \rho_2^2 d\phi_2) = 2\rho_1 d\rho_1 \wedge d\phi_1 + 2\rho_2 d\rho_2 \wedge d\phi_2 \end{aligned}$$

from which we compute

$$\begin{aligned} d(\alpha_5|_{X_{\theta_1}})|_{K_{\theta_1}} &= d(\alpha_5|_{T_k \cap X_{\theta_1}}) = \frac{2}{\sqrt{3}} d\rho_1 \wedge d\phi_1 + \frac{2}{\sqrt{3}} d\rho_2 \wedge d\phi_2, \text{ and also} \\ (\alpha_5|_{X_{\theta_1}})|_{K_{\theta_1}} &= \frac{1}{3} d\phi_1 + \frac{1}{3} d\phi_2 (= \frac{1}{3} d\theta_2 + \frac{1}{3} d\theta_3) \\ \Rightarrow (\alpha_5|_{X_{\theta_1}})|_{K_{\theta_1}}(\vec{r}'(\theta)) &= \frac{1}{3} - \frac{1}{3} = 0. \end{aligned}$$

These verify that  $K_{\theta_1}, K_{\theta_1+\pi}$  are isotropic unknots in every (simply-connected) Weinstein (so Stein) page  $(X_{\theta_1}, d(\alpha_5|_{X_{\theta_1}}))$ , and every page of the open book  $(\mathbb{S}^3, \pi)$  essentially intersects  $T_k$ . As a result, we conclude that  $(\mathbb{S}^3, \pi)$  is an essentially intersecting admissible open book for the Clifford torus  $T_k$ . See Figure 6.1 for a schematic picture for the front projection of  $T_k$ .

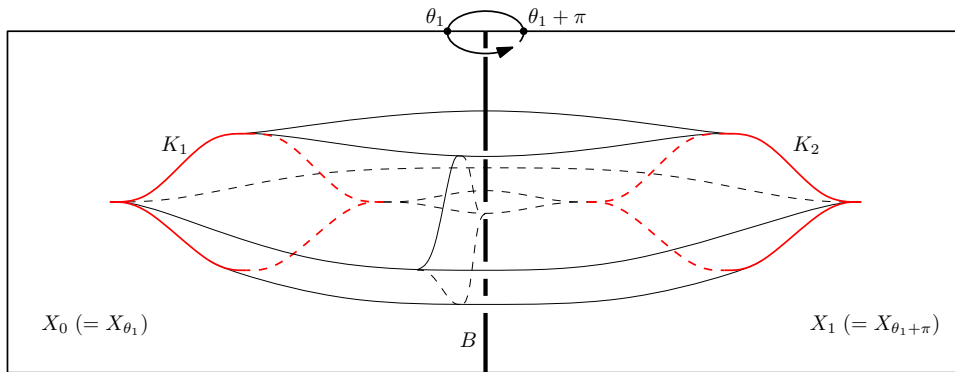


Figure 6.1: A schematic picture of the front projection of the Legendrian Clifford torus  $T_k \subset (\mathbb{S}^5, \xi_5)$  onto  $\mathbb{R}^3$  with coordinates  $z, y_1, y_2$ . The components  $K_1, K_2$  (in red) of the (un)link of intersection of  $T_k$  with the double  $X_0 \cup_{\partial} X_1 \approx \mathbb{S}^4$  of a page  $X \approx D^4$  of the trivial open book on  $\mathbb{S}^5$ . (Note:  $B \approx \mathbb{S}^3$  and  $T_k \pitchfork B = \emptyset$ .)

Next, we set  $K_1 = K_{\theta_1}, K_2 = K_{\theta_1+\pi}$  and also  $X_0 = X_{\theta_1}$  and  $X_1 = X_{\theta_1+\pi}$ , so that the

(un)link of intersection  $T_k$  with the double  $D(X) = X_0 \cup_{\partial} X_1$  is given by

$$T_k \# D(X) = K_1 \sqcup K_2$$

With respect to the notation introduced in Chapter 3, we have  $K_1 = k_1^0 \subset X_0$  (no  $k_1^1$ ) and  $K_2 = k_2^1 \subset X_1$  (no  $k_2^0$ ). Also recall  $T_k \cap \mathbb{S}^3 = \emptyset$ . Hence,  $T_k \# D(X)$  is an unlink with two components  $k_1^0, k_2^1$  which can be realized in Stein diagrams of  $(X_0, d\alpha_5|_{X_0})$  and  $(X_1, d\alpha_5|_{X_1})$  as in Figure 6.2.

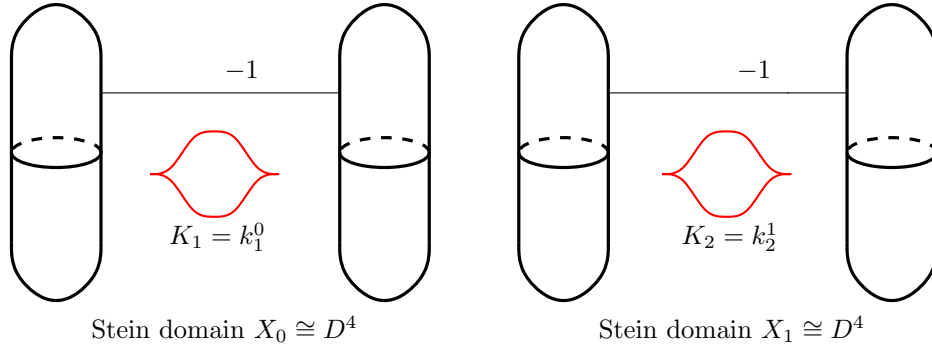


Figure 6.2: Realizing the (un)link of transverse intersection of the Legendrian Clifford torus  $T_k$  with the double  $X_0 \cup_{\partial} X_1 \approx \mathbb{S}^4$  of a page  $X \approx D^4$  in the Stein diagrams of  $(X_0, d\alpha_5|_{X_0})$  and  $(X_1, d\alpha_5|_{X_1})$ .

Now we can calculate our invariants by using Stein diagrams. Using the notations introduced, we have

$$\tilde{tb}(K_1) = tb(k_1^0) = -1 \quad \text{and} \quad \tilde{tb}(K_2) = tb(k_2^1) = -1.$$

So, the page crossing number  $\mathcal{P}_X(L')$  for any page  $X$  of  $(\mathbb{S}^3, \pi)$  and any  $L' \in [T_k]$  is computed as

$$\mathcal{P}_X(L') = \tilde{tb}(K_1) + \tilde{tb}(K_2) = -2.$$

(Because with respect to any page, minimal link of intersection set has always two components as depicted in Figure 6.2.) As a result, the absolute and relative maximal page crossing numbers are computed as

$$MP_{(\mathbb{S}^3, \pi)}(L) = MP_X(L) = -2.$$

**Remark** Thurston-Bennequin number of any Legendrian torus  $L$  (regardless of how it is embedded in  $(\mathbb{S}^5, \xi_5)$ ) is computed as  $tb(L) = 0$  since it coincides with a topological invariant (see [24]). So it is not possible to distinguish them using Thurston-Bennequin invariant. On the other hand, since the new invariants defined here keep track Legendrian embeddings, they distinguish not only their smooth embedding type but also Legendrian isotopy types of such embedded Legendrian tori.

## REFERENCES

- [1] D. Martínez-Torres A. Ibort and F. Presas. On the construction of contact submanifolds with prescribed topology. *J. Differential Geom.*, 56.
- [2] S. Akbulut and M. F. Arikan. On legendrian embeddings into open book decompositions. pages 227–245, 2019.
- [3] D. Bennequin. Entrelacements et equations de pfaff. *Asterisque*, pages 87–161, 1983.
- [4] K. Cieliebak and Y. Eliashberg. *From Stein to Weinstein and back. Symplectic geometry of affine complex manifolds*. American Mathematical Society Colloquium Publications, 2012.
- [5] Ana Cannas da Silva. *Lectures on Symplectic Geometry*. Springer, 2006.
- [6] F. Ding and H. Geiges. Handle moves in contact surgery diagrams. *J. Topol.*, 2(1):105–122, 2009.
- [7] Y. Eliashberg. Topological characterization of stein manifolds of dimension  $>2$ . *Internat. J. Math.*, 1(1):29–46, 1990.
- [8] Y. Eliashberg and M. Gromov. Convex symplectic manifolds. *Several complex variables and complex geometry*, pages 135–162, 1989.
- [9] Y. Eliashberg and M. Gromov. Lagrangian intersections and the stable morse theory. *Boll. Un. Mat. Ital. B*, 2:289–326, 1997.
- [10] J. B. Etnyre. Inductory lectures on contact geometry. *In Topology and geometry of manifolds (Athens, GA, 2001)*, 71:81–107, 2003.
- [11] J. B. Etnyre. Legendrian and transversal knots. *Elsevier B. V. Amsterdam*, 2005.
- [12] J. B. Etnyre and B. Ozbagci. Invariants of contact structures from open books. *Trans. Amer. Math. Soc.*, 260.

- [13] H. Geiges. *An Introduction to Contact Topology*. Cambridge University Press, 2008.
- [14] E. Giroux. Géométrie de contact: de la dimension trois vers les dimensions supérieures. *Proceedings of the International Congress of Mathematicians*, 2:405–414, 2002.
- [15] R. E. Gompf. Handlebody construction of stein surfaces. *Ann. of Math.*, 148(2):619–693, 1998.
- [16] R. E. Gompf. Constructing stein manifolds after eliashberg. *Amer. Math. Soc.*, pages 229–250, 2009.
- [17] M. Gromov. Pseudoholomorphic curves in symplectic manifolds. *Invent. Math.*, 82:307–347, 1985.
- [18] Y. Kanda. The classification of tight contact structures on the 3-torus. *Comm. in Anal. and Geom.*, 5.
- [19] P. B. Kronheimer and T. S. Mrowka. Witten’s conjecture and property p. *Geom. Topol.*, 8.
- [20] J. B. Etnyre Lenhard Ng and J. Sabloff. Invariants of legendrian knots and coherent orientations. *J. Symplectic geometry* 1, 2.
- [21] Dusa McDuff and Dietmar Salamon. *Introduction to Symplectic Topology*. Oxford University Press, 1995.
- [22] L. Rudolph. An obstruction to sliceness via contact geometry and classical gauge theory. *Invent. Math.*, 119.
- [23] J. Etnyre T. Ekholm and M. Sullivan. The contact homology of legendrian submanifolds in  $\mathbb{R}^{2n+1}$ . *Journal of Differential Geometry*, 2:177–305, 2005.
- [24] J. Etnyre T. Ekholm and M. Sullivan. Non-isotopic legendrian submanifolds in  $\mathbb{R}^{2n+1}$ . *Journal of Differential Geometry*, 1:85–128, 2005.
- [25] J. Etnyre T. Ekholm and M. Sullivan. Legendrian contact homology in  $p \times \mathbb{R}$ . *Trans. Amer. Math. Soc.*, 7:3301–3335, 2007.

- [26] S. Tabachnikov. An invariant of a submanifold that is transversal to a distribution. *Math. Surveys*, 43(3):225–226, 1988.
- [27] W. P. Thurston and H. E. Winkelnkemper. On the existence of contact forms. *Proc. Amer. Math. Soc.*, 52:345–347, 1975.
- [28] A. Weinstein. Contact surgery and symplectic handlebodies. *Hokkaido Math. J.*, 2:241–251, 1991.
- [29] Y. Eliashberg. Filling by holomorphic discs and its applications. *Geometry of low-dimensional manifolds*, 2:45–67, 1989.





## CURRICULUM VITAE

### PERSONAL INFORMATION

**Surname, Name:** Erşen, Özlem

**Nationality:** Turkish (TC)

**Date and Place of Birth:** 20.05.1989, Afyonkarahisar

**Marital Status:** Single

**Phone:** +90 553 235 56 17

**e-mail:** ozlem-189-26@hotmail.com

**Fax:** 0 312 210 2972

### EDUCATION

<b>Degree</b>	<b>Institution</b>	<b>Year of Graduation</b>
B.S.	Eskişehir Osmangazi Üniversitesi	2011
High School	Afyonkarahisar Cumhuriyet High School	2007

### RESEARCH INTERESTS

Low-Dimensional Topology, Contact Geometry, Symplectic Topology

## PROFESSIONAL EXPERIENCE

Year	Place	Enrollment
2012-18	METU, Department of Mathematics	Research Assistant
2018-19	Pamukkale University, Department of Mathematics	Research Assistant
2019-20	Ted University, Department of Mathematics	Lecturer

## TEACHING AND TUTORING EXPERIENCE

Year	Course Code	Course Name
2012-16	MATH 119	Calculus with Analytic Geometry
2012-16	MATH 120	Calculus of Functions of Several Variables
2016-17	MATH 153	Calculus for Mathematics Students I
2016-17	MATH 154	Calculus for Mathematics Students II
2016-17	MATH 260	Basic Linear Algebra
2017-18	MATH 119	Calculus with Analytic Geometry
2018-19	MAT 203	Genel Topoloji I
2018-19	MAT 204	Genel Topoloji II
2019-20	MATH 101	Calculus of One Variable

## AWARD AND SCHOLARSHIP

- 2011 Eskişehir Osmangazi University Undergraduate Courses Performance Award (The second most successful student in the Math Department in the Undergraduate Program of the Faculty of Arts and Science in 2010-2011 Academic Year)
- 2012-2017 Ph.D. Scholarship by The Scientific and Technological Research Council of Turkey (TUBITAK).